

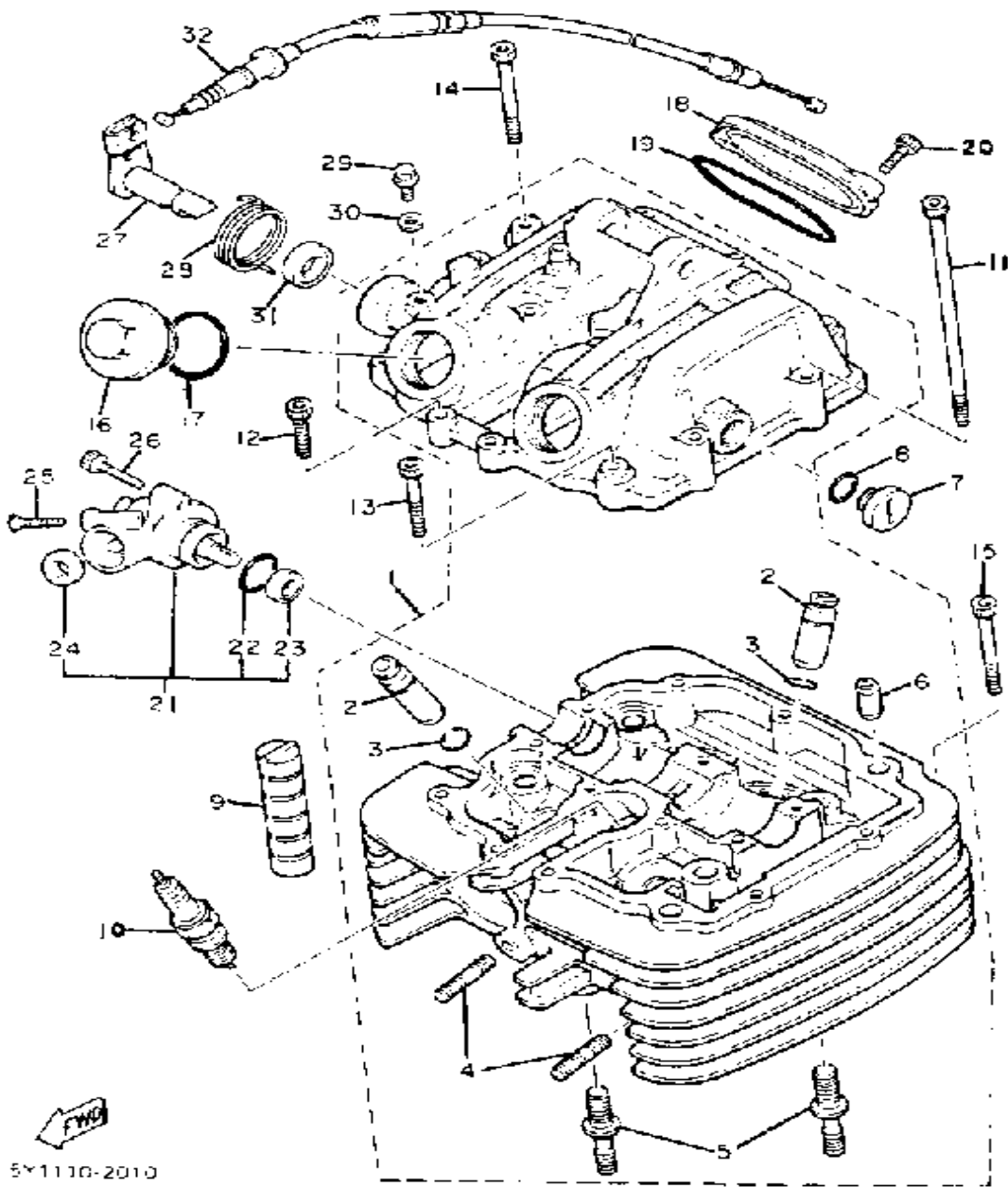
YAMAHA

GENUINE

PARTS CATALOGUE

MOTORCYCLE

CYLINDER HEAD

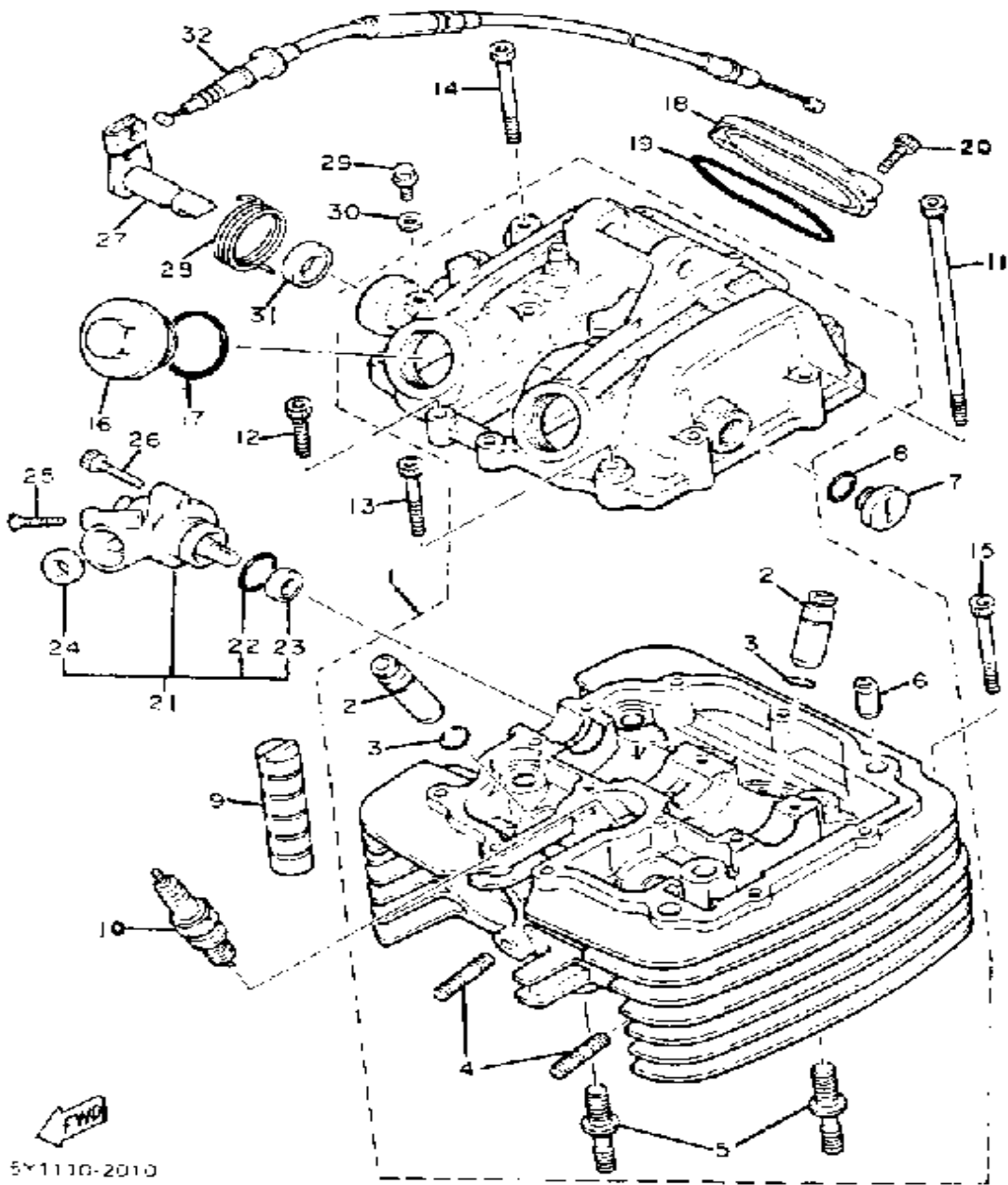


5Y1110-2010

Ref. No.	Part Number	Description	Qty	Remarks
1	5Y1-11101-03-00	CYLINDER HEAD ASSEMBLY	1	
2	4H7-11133-10-00	. GUIDE, INTAKE VALVE	4	
3	93440-12052-00	. CIRCLIP	4	
4	90116-06475-00	. BOLT, STUD	4	
5	90116-10378-00	. BOLT, STUD	2	
6	91810-05018-00	. PIN, DOWEL	2	
7	90340-14079-00	PLUG, STRAIGHT SCRW	1	
8	93210-14369-00	O-RING	1	
9	583-11127-00-00	ABSORBER 3	2	
10	NGK-D7EA0-00-00	PLUG, SPARK (NGK D7EA)	1	
11	91316-06125-00	BOLT	2	
12	91316-06025-00	BOLT	4	
13	91316-06040-00	BOLT, SOCKET HEAD	3	
14	91316-06055-00	BOLT, SOCKET HEAD	7	
15	91316-06050-00	BOLT, SOCKET HEAD	1	
16	1H2-11186-00-00	PLUG, VIEWER	2	
17	93210-32172-00	O-RING	2	
18	5Y1-11187-00-00	COVER, CYLINDER HEAD SIDE 3	1	
19	93210-62446-00	O-RING	1	
20	91316-06018-00	BOLT, SOCKET HEAD	2	
21	5Y1-17800-01-00	GEAR UNIT ASSEMBLY	1	
22	93210-19522-00	. O-RING	1	
23	93102-11262-00	. OIL SEAL, SD-TYPE	1	
24	93102-07261-00	. OIL SEAL, SD-TYPE	1	
25	98706-06030-00	SCREW, FLAT HEAD	1	
26	91316-06025-00	BOLT	1	
27	5Y1-12288-00-00	CAM, DCOMP	1	
28	90508-18551-00	SPRING, TORSION	1	

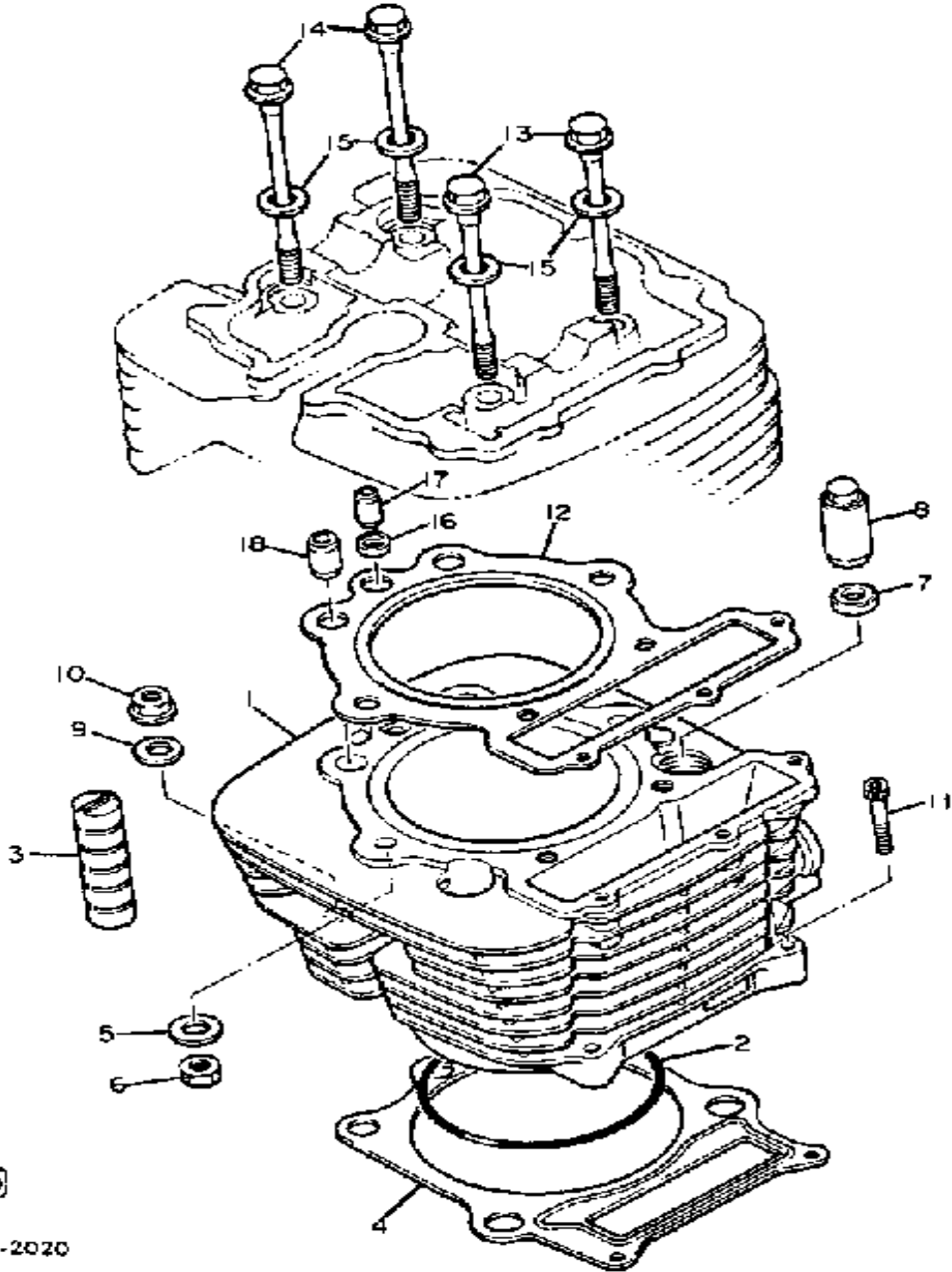
CONTINUED ON NEXT FRAME ►

CYLINDER HEAD



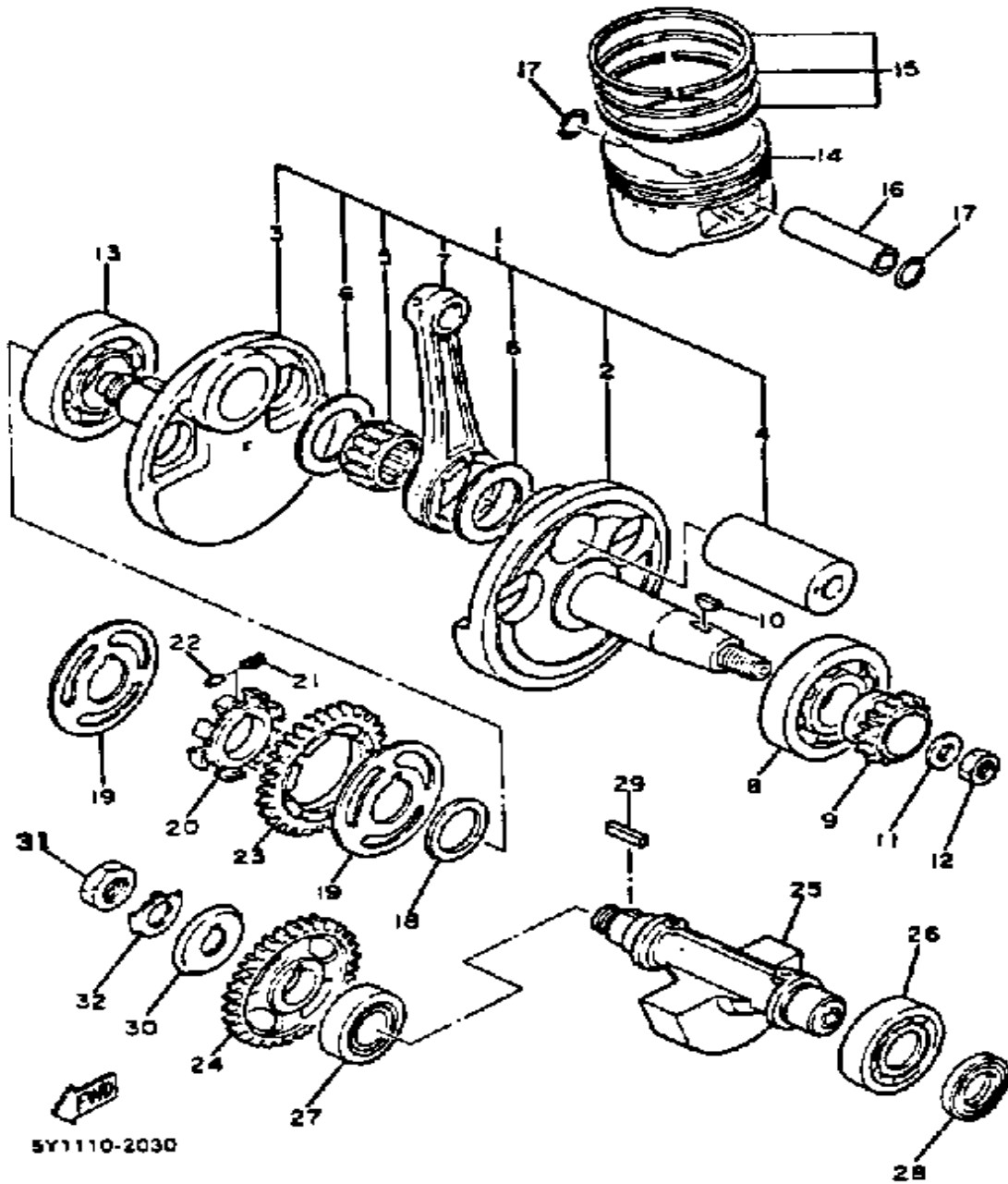
Ref. No.	Part Number	Description	Qty	Remarks
29	90109-06418-00	BOLT	1	
30	90430-06014-00	GASKET	1	
31	93102-12321-00	OIL SEAL, SD-TYPE	1	
32	5Y1-12292-00-00	CABLE, DCOMP	1	

CYLINDER



Ref. No.	Part Number	Description	Qty	Remarks
1	5Y1-11310-00-00	CYLINDER	1	
2	93210-97524-00	O-RING	1	
3	583-11127-00-00	ABSORBER 3	2	
4	5Y1-11351-00-00	GASKET, CYLINDER	1	
5	90201-094G1-00	WASHER, PLATE	2	
6	95333-08600-00	NUT	2	
7	90201-10590-00	WASHER, PLATE	2	
8	90179-10201-00	NUT	2	
9	90201-10124-00	WASHER, PLATE	2	
10	90179-10279-00	NUT	2	
11	90110-06138-00	BOLT, HEX SKT HEAD	2	
12	5Y1-11181-00-00	GASKET, CYLINDER HEAD 1 .	1	
13	90105-08464-00	BOLT, WASHER BASED	2	
14	90105-08214-00	BOLT, WASHER BASED	2	
15	90201-080L7-00	WASHER, PLATE	4	
16	90430-08178-00	GASKET	1	
17	99510-08016-00	PIN, DOWEL	1	
18	99510-10114-00	PIN, DOWEL	2	

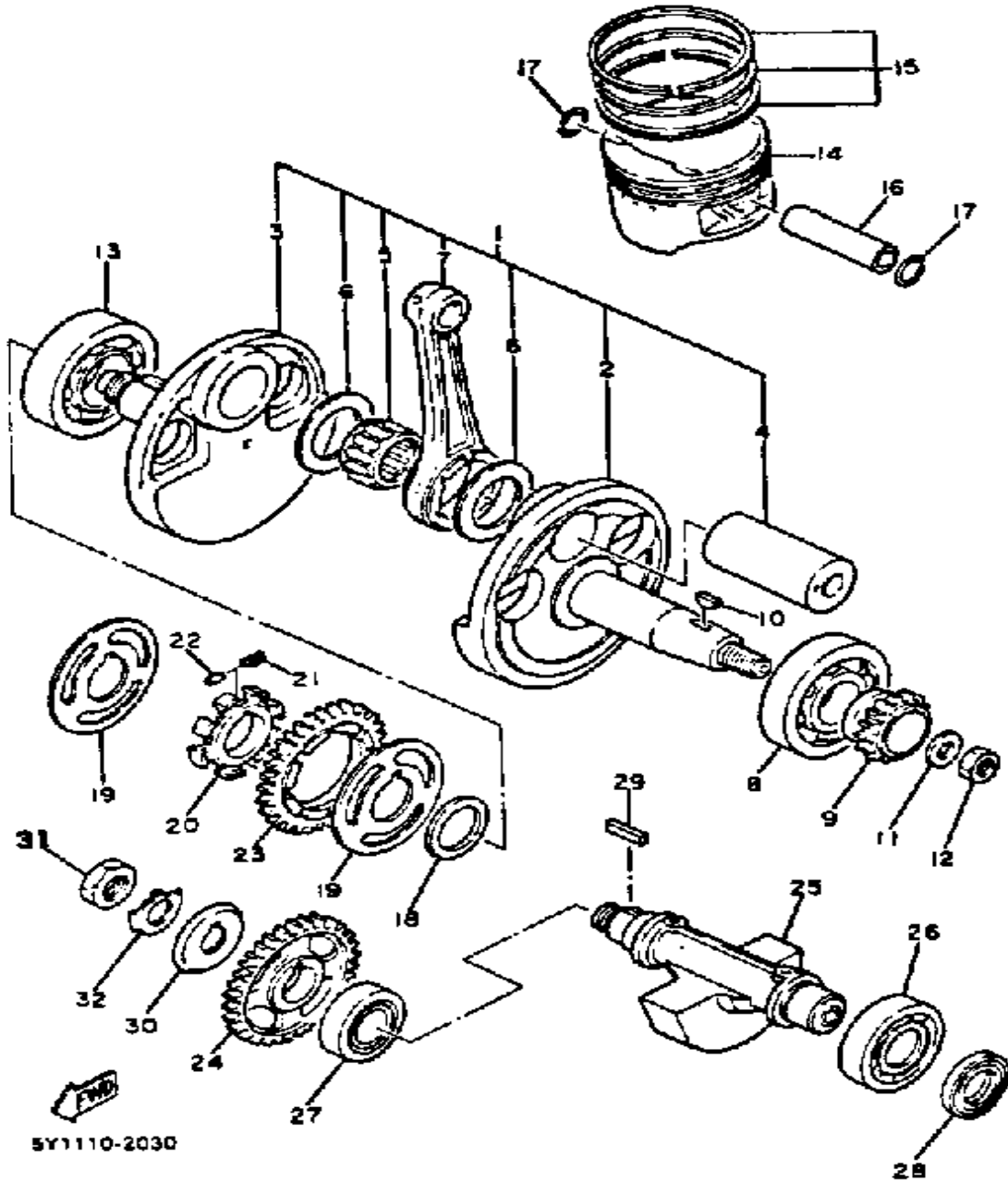
CRANKSHAFT - PISTON



Ref. No.	Part Number	Description	Qty	Remarks
1	5Y1-11400-00-00	CRANKSHAFT ASSEMBLY	1	
2	(5Y1-11412-09-00)	CRANK 1	1	
3	34K-11422-00-00	. CRANK 2	1	
4	5Y1-11681-00-00	. PIN, CRANK 1	1	
5	93310-634K2-00	. BEARING, CYLINDER.# 0	1	
6	90209-34254-00	. WASHER, SPEC'L SHAP	2	
7	34K-11651-00-00	. ROD, CONNECTING	1	
8	93306-30630-00	BEARING	1	
9	5Y1-11549-00-00	SPROCKET, CAM CHAIN	1	
10	90280-16053-00	KEY, WOODRUFF	1	
11	90201-140A6-00	WASHER, PLATE	1	
12	90179-14317-00	NUT, SPEC'L SHAPE	1	
13	93306-30702-00	BEARING (B6307)	1	
14	5Y1-11631-01-A0	PISTON STD (STD)	1	U.R.
	5Y1-11635-01-00	PISTON 1 O/S 0.25 (1ST O/S 0.25MM)	1	ALTERNATE PART
	5Y1-11637-01-00	PISTON 3 O/S 0.75 (3RD O/S 0.75MM)	1	ALTERNATE PART
15	5Y1-11610-00-00	PISTON RINGSET STD (1ST O/S)	1	
	5Y1-11610-00-00	PISTON RINGSET STD (1ST O/S)	1	ALTERNATE PART
	5Y1-11610-30-00	PISTON RINGSET 3RD (3RD O/S)	1	ALTERNATE PART
16	5A8-11633-00-00	PIN, PISTON	1	
17	93450-24028-00	CIRCLIP	2	
18	90201-301F4-00	WASHER, PLATE	1	
19	(5Y1-11565-00-00)	WASHER, BEARING CVR	2	
20	5Y1-11496-01-00	BOSS, BUFFER	1	
21	90501-22721-00	SPRING, COMPRESSION	8	

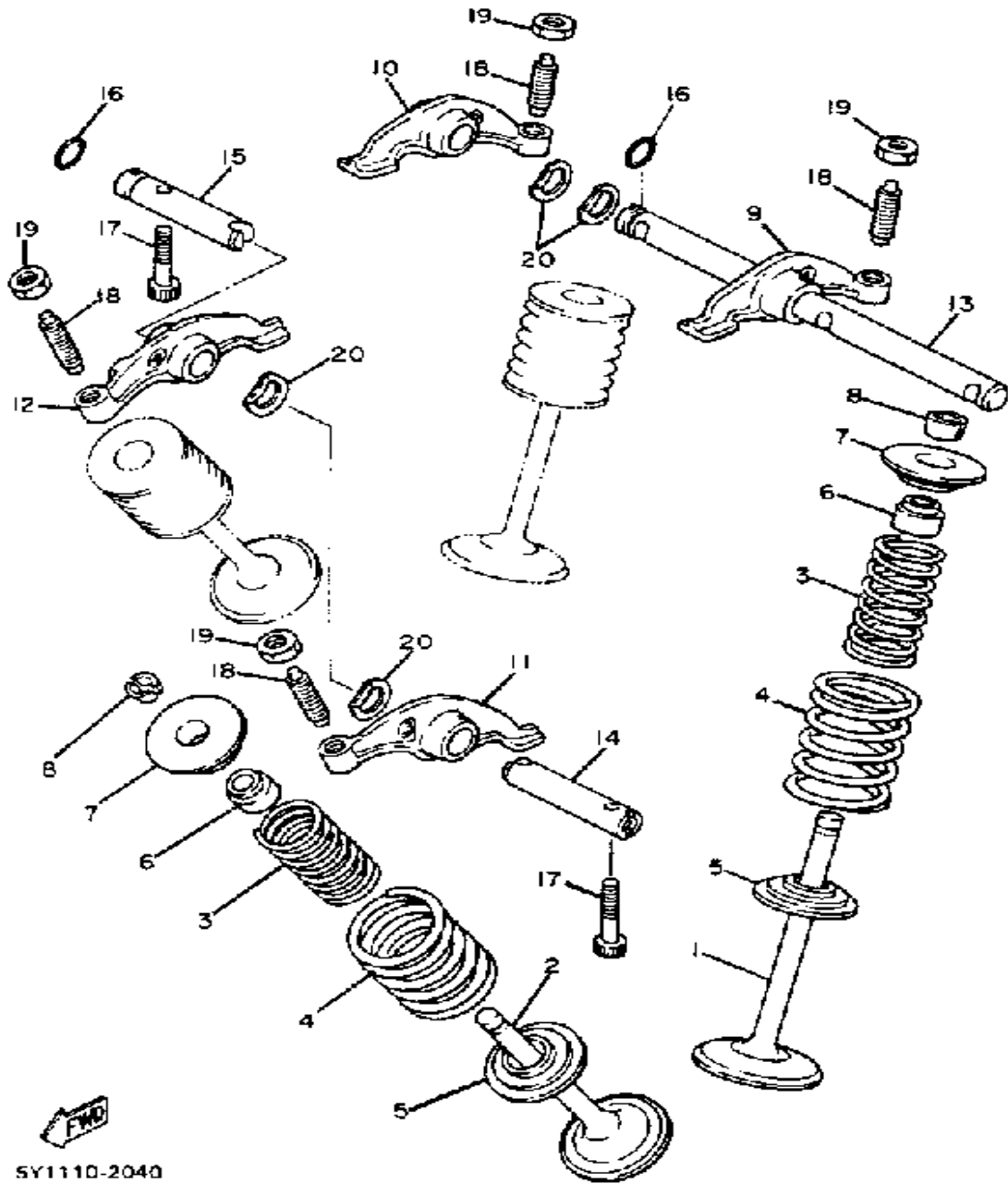
CONTINUED ON NEXT FRAME ➤

CRANKSHAFT - PISTON



Ref. No.	Part Number	Description	Qty	Remarks
22	93605-10090-00	PIN, DOWEL	4	
23	2JT-11536-00-00	GEAR, DRIVE	1	
24	5Y1-11531-00-00	GEAR, BALANCE WT 44T	1	
25	5Y1-11454-00-00	WEIGHT 1	1	
26	93306-30525-00	BEARING (B6305)	1	
27	93313-92513-00	BEARING, CYLINDER.# 3	1	
28	93101-25106-00	OIL SEAL	1	
29	90282-05013-00	KEY, STRAIGHT	1	
30	34K-11145-00-00	PLATE, BREATHER 2	1	
31	90170-16326-00	NUT	1	
32	90215-16242-00	WASHER, LOCK	1	

VALVE

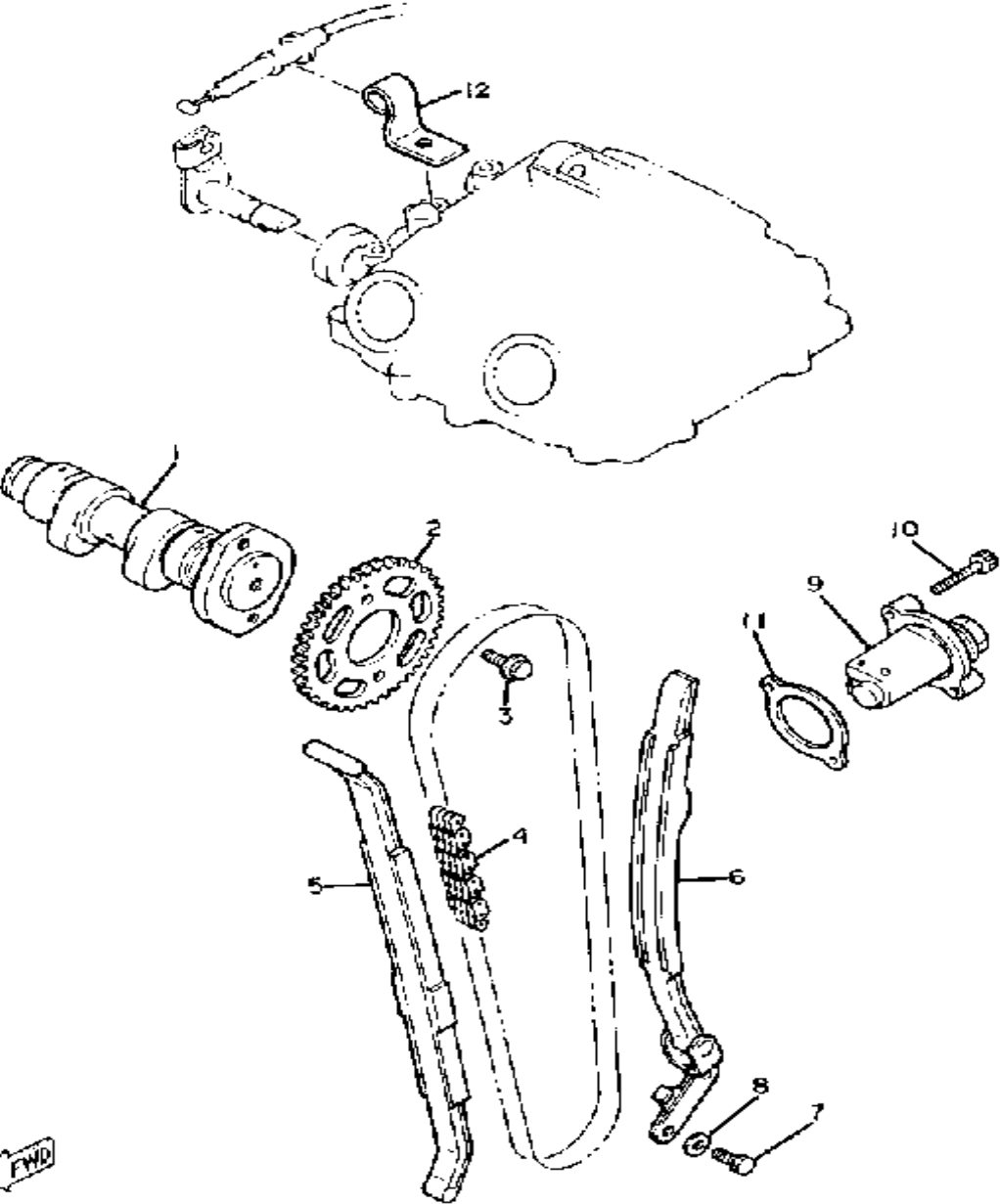


Ref. No.	Part Number	Description	Qty	Remarks
1	5Y1-12111-00-00	VALVE, INTAKE	2	
2	5Y1-12121-00-00	VALVE, EXHAUST	2	
3	5Y1-12113-00-00	SPRING, VALVE INNER	4	
4	5Y1-12114-00-00	SPRING, VALVE OUTER	4	
5	4H7-12116-00-00	SEAT, VALVE SPRING	4	
6	1J7-12119-01-00	SEAL, VALVE STEM	4	
7	2F3-12117-00-00	RETAINER, VALVE SPRING ..	4	
8	1J7-12118-00-00	COTTER, VALVE	8	
9	5Y1-12151-00-00	ARM, VALVE ROCKER	1	
10	5Y1-12161-00-00	ARM, VALVE ROCKER 2	1	
11	5Y1-12162-00-00	ARM, VALVE ROCKER 3	1	
12	5Y1-12163-00-00	ARM, VALVE ROCKER 4	1	
13	2NX-12146-00-00	SHAFT, ROCKER	1	
14	5Y1-12156-00-00	SHAFT, ROCKER	1	
15	5Y1-12166-00-00	SHAFT, ROCKER 3	1	
16	93210-08521-00	O-RING	2	
17	90110-06138-00	BOLT, HEX SKT HEAD	2	
18	3Y1-12159-00-00	SCREW, VALVE ADJUSTING ..	4	
19	90170-06128-00	NUT	4	
20	90206-12074-00	WASHER, WAVE	4	

5Y1110-2040

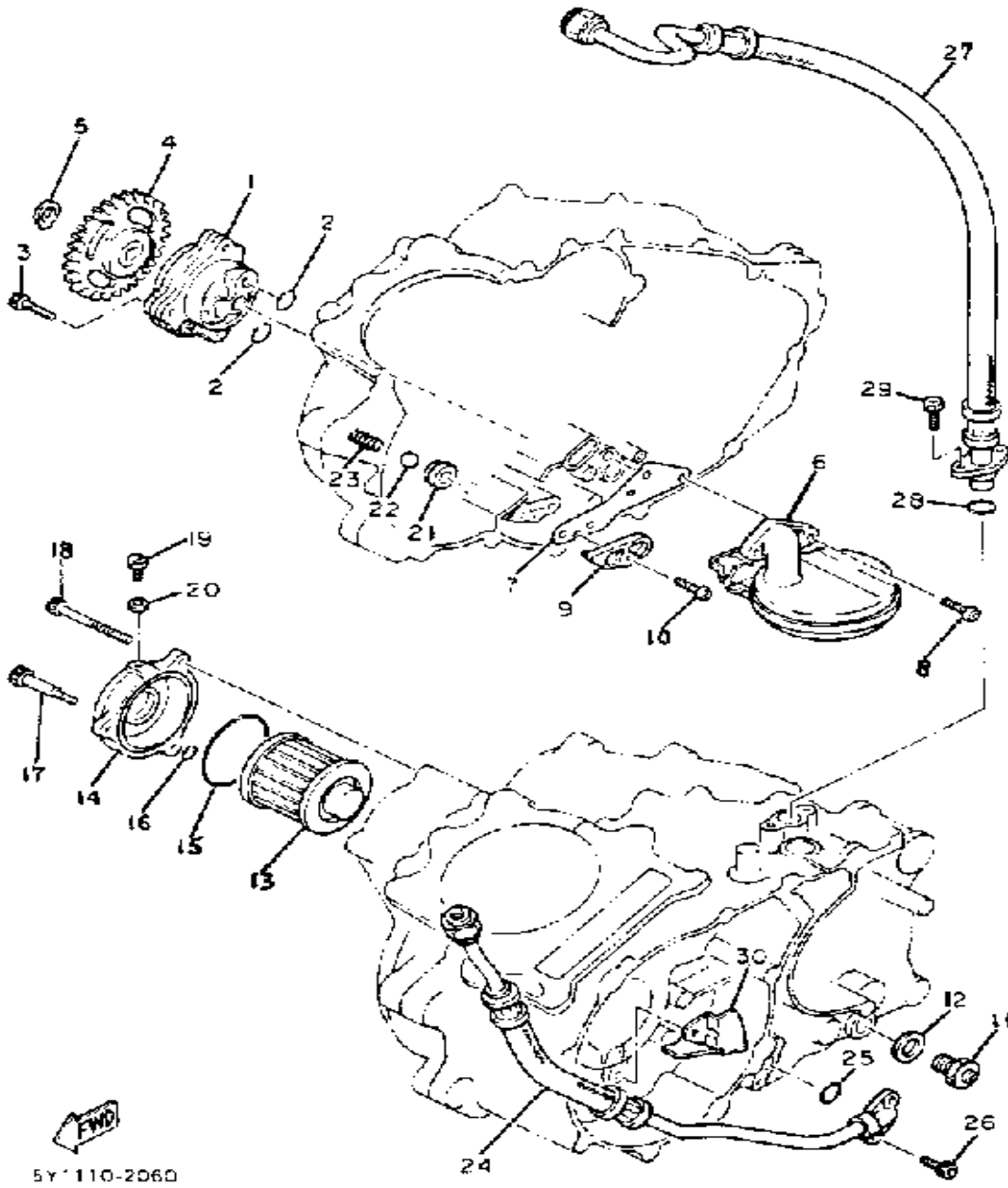
CAMSHAFT - CHAIN

Ref. No.	Part Number	Description	Qty	Remarks
1	5Y1-12170-10-00	CAMSHAFT ASSEMBLY 1	1	
2	5Y1-12176-00-00	SPROCKET, CAM CHAIN	1	
3	90105-07087-00	BOLT, WASHER BASED	2	
4	94590-27126-00	CHAIN	1	
5	34K-12231-00-00	GUIDE, STOPPER 1	1	
6	34K-12241-00-00	GUIDE, STOPPER 2	1	
7	97011-06016-00	BOLT	2	
8	92901-06600-00	WASHER	2	
9	34K-12210-00-00	TENSNR ASSEMBLY, CAM CHN	1	
10	91316-06025-00	BOLT	2	
11	4DW-12213-00-00	GASKET, TENSIONER CASE	1	
12	1JK-12283-00-00	BRACKET, DCOMP (5Y1-12283-00)	1	



5Y1110-2050

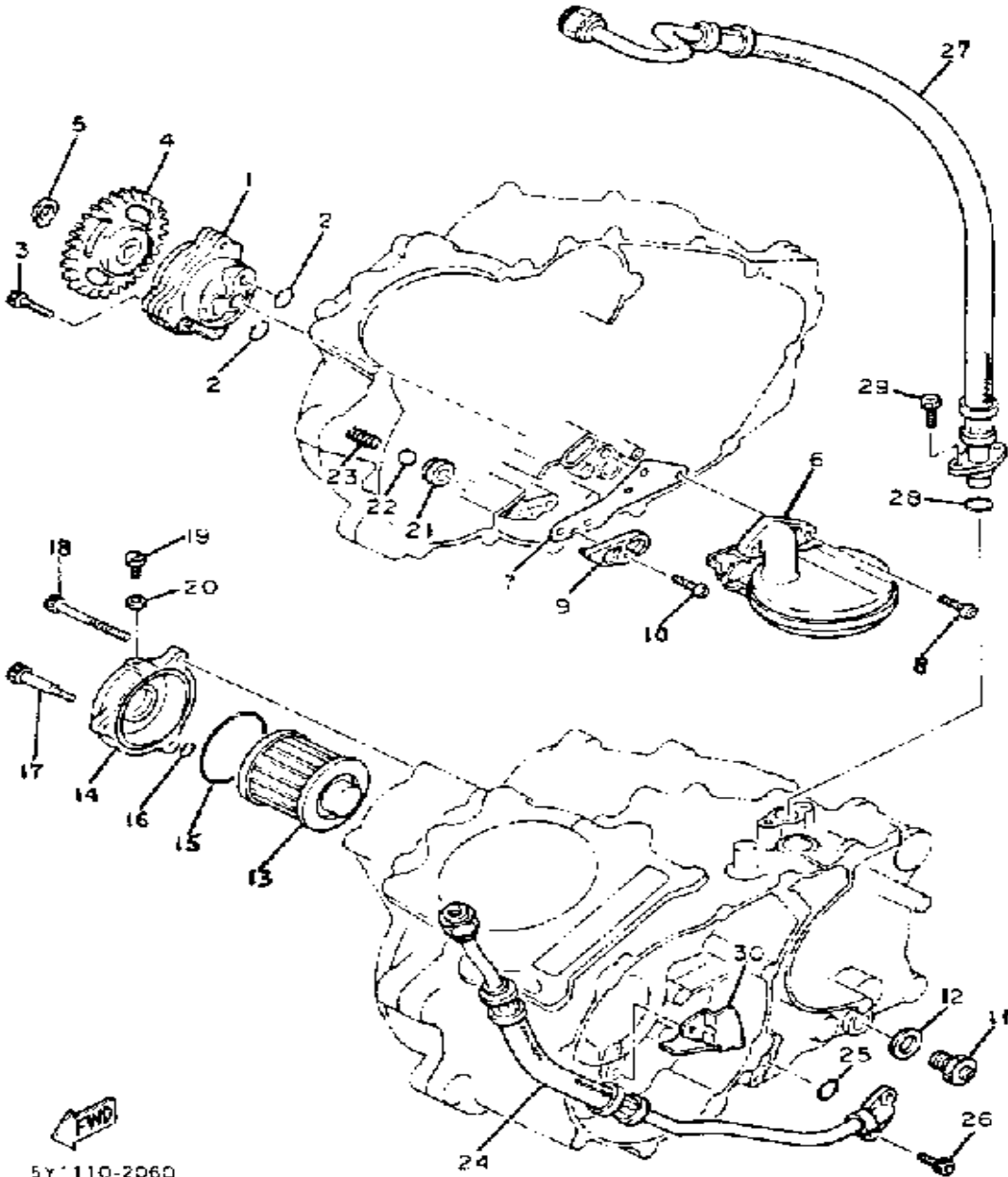
OIL PUMP - OIL CLEANER



Ref. No.	Part Number	Description	Qty	Remarks
1	99999-01858-00	OIL PUMP KIT (3AJ)	1	
2	93210-13361-00	O-RING	2	
3	91316-06035-00	BOLT	3	
4	99999-01925-00	OIL PUMP GEAR KIT	1	
5	99009-11400-00	CIRCLIP	1	
6	5Y1-W1343-00-00	STRAINER COMP.	1	
7	4DW-13415-00-00	SEAL, OIL STRAINER	1	
8	98503-06014-00	SCREW, PAN HEAD (92502-06016)	2	
9	5Y1-15427-01-00	COVER, CAP 2	1	
10	98503-06014-00	SCREW, PAN HEAD (92502-06016)	1	
11	3VD-13455-00-00	PLUG	1	
12	214-11198-01-00	GASKET	1	
13	4X7-13440-90-00	ELMNT ASSEMBLY, OIL CLNR	1	
14	583-13447-01-00	COVER, OIL ELEMENT	1	
15	93210-64297-00	O-RING	1	
16	93210-07438-00	O-RING	1	
17	90109-06419-00	BOLT	1	
18	91316-06080-00	BOLT	2	
19	90149-05110-00	SCREW	1	
20	90430-05126-00	GASKET	1	
21	583-13113-00-00	SEAT, CHECK BALL	1	
22	93503-08007-00	BALL	1	
23	90501-05378-00	SPRING, COMPRESSION	1	
24	5Y1-13464-00-00	HOSE, OIL 1	1	
25	93210-10197-00	O-RING	1	
26	91316-06016-00	BOLT, SOCKET HEAD	2	
27	5Y1-13465-00-00	HOSE, OIL 2	1	

CONTINUED ON NEXT FRAME ►

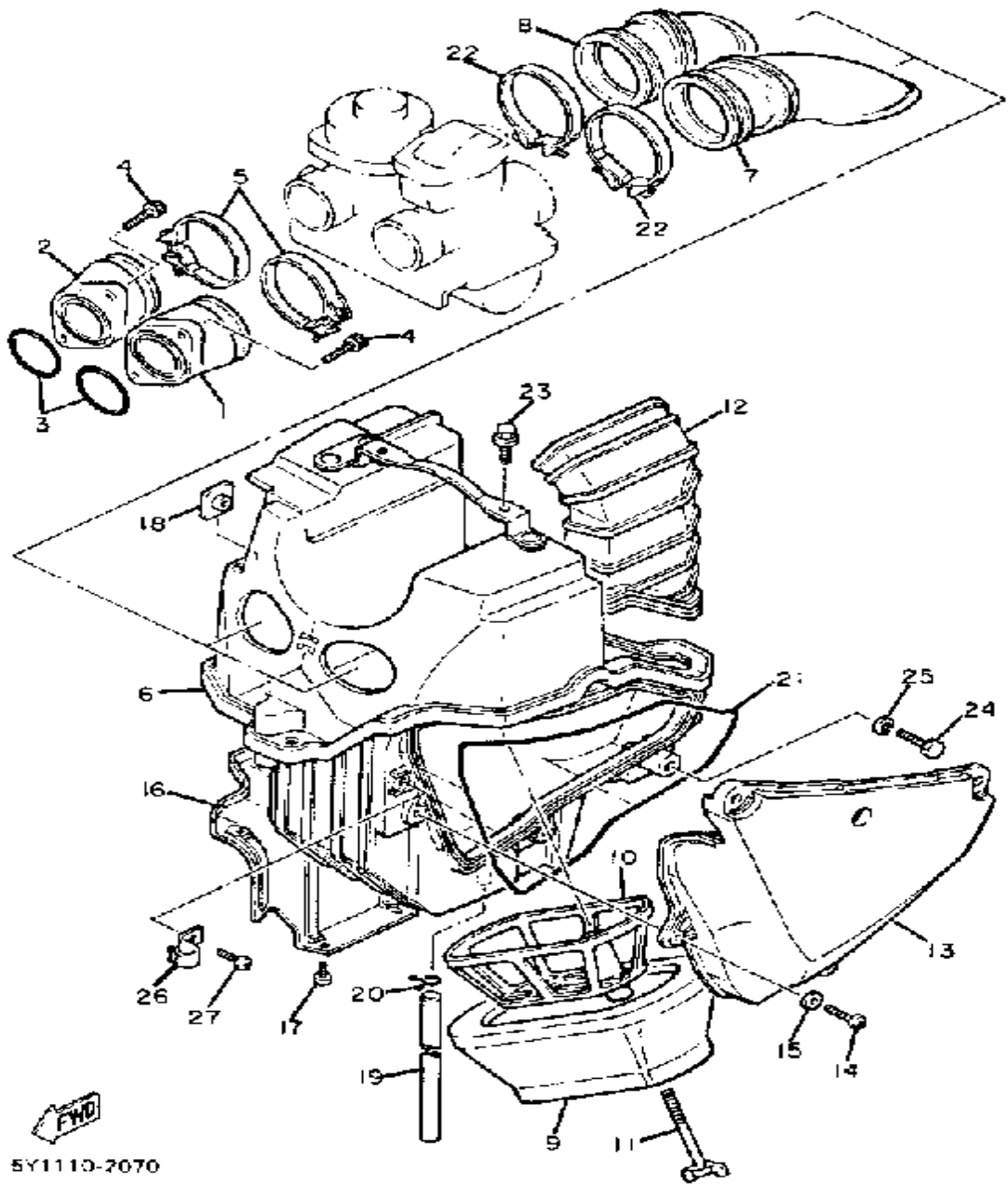
OIL PUMP - OIL CLEANER



Ref. No.	Part Number	Description	Qty	Remarks
28	93210-15171-00	O-RING	1	
29	91316-06016-00	BOLT, SOCKET HEAD	2	
30	5Y1-13371-00-00	PLATE	1	

5Y 110-2060

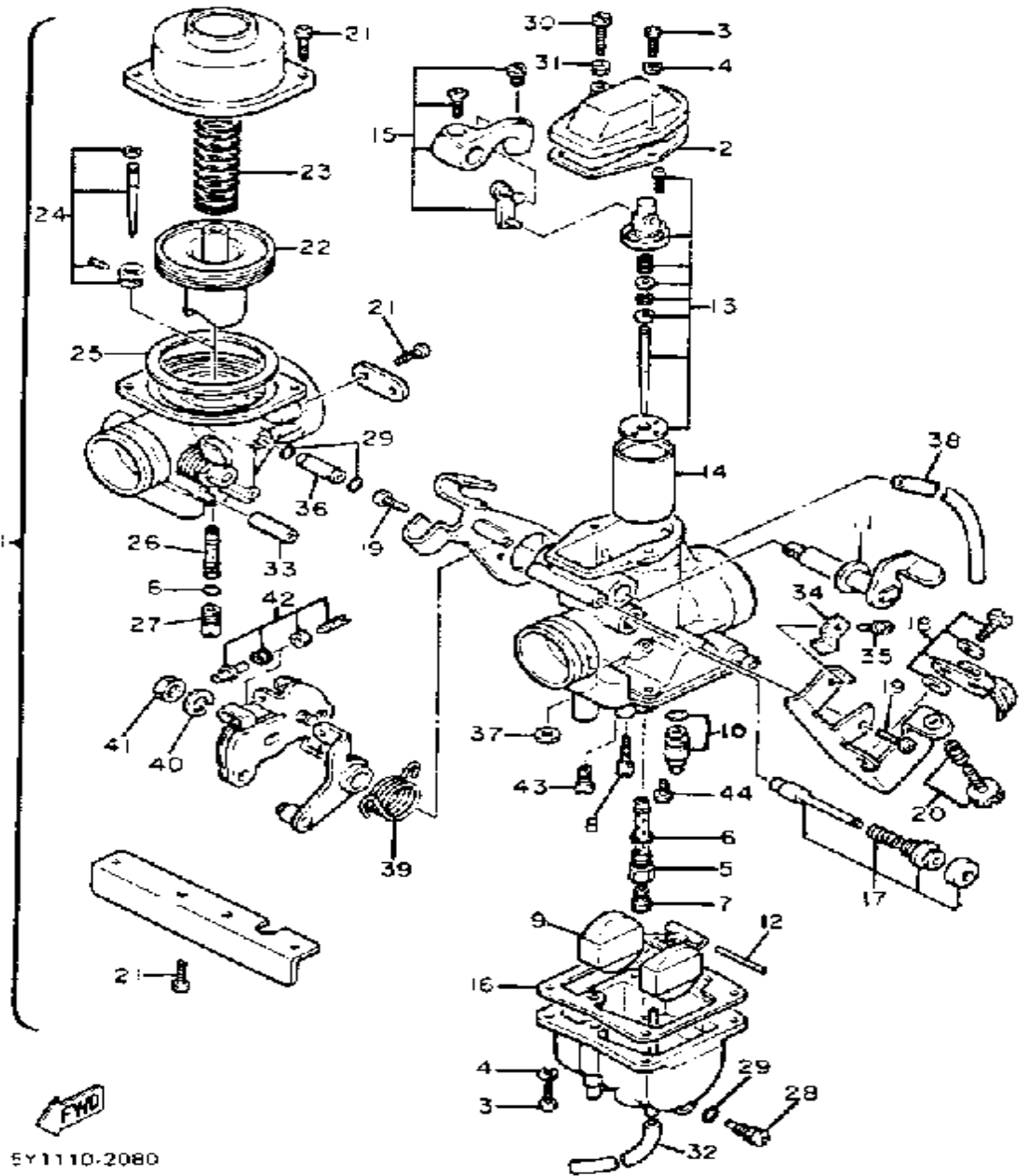
INTAKE



Ref. No.	Part Number	Description	Qty	Remarks
1	5Y1-13586-01-00	JOINT, CARBURETOR 1	1	
2	5Y1-13596-01-00	JOINT, CARBURETOR 2	1	
3	93210-36549-00	O-RING	2	
4	91316-06020-00	BOLT, SOCKET HEAD	4	
5	90460-46206-00	CLAMP, hose	2	
6	5Y1-14401-01-00	AIR CLNR CASE ASSEMBLY	1	
7	5Y1-14453-00-00	JOINT, AIR CLNR 1	1	
8	5Y1-14454-00-00	JOINT	1	
9	5Y1-14451-00-00	ELEMENT, AIR CLNR	1	
10	5Y1-14458-00-00	GUIDE, ELEMENT	1	
11	90122-06030-00	BOLT, WING (3JD)	1	
12	5Y1-14437-00-00	DUCT	1	
13	5Y1-14412-00-00	CAP, CLEANER CASE 1	1	
14	98516-06020-00	SCREW, PAN HEAD	3	
15	92906-06600-00	WASHER	3	
16	5Y1-1442F-00-00	PROTECTOR	1	
17	97702-30508-00	SCREW, TAPPING	4	
18	4H7-14484-00-00	PLATE, CLNR CS FTNG	2	
19	91A20-07018-00	TUBE, FLEXIBLE VINYL	1	
20	90467-09006-00	CLIP	1	
21	1VJ-14462-00-00	SEAL	1	
22	90460-51059-00	CLAMP, HOSE	2	
23	95811-06010-00	BOLT, FLANGE	2	
24	97006-06035-00	BOLT, HEXAGON	1	
25	92906-06100-00	WASHER, SPRING	1	
26	90462-06009-00	CLAMP	1	
27	(97701-50508-00)	SCREW, TAPPING	1	

5Y1110-2070

CARBURETOR

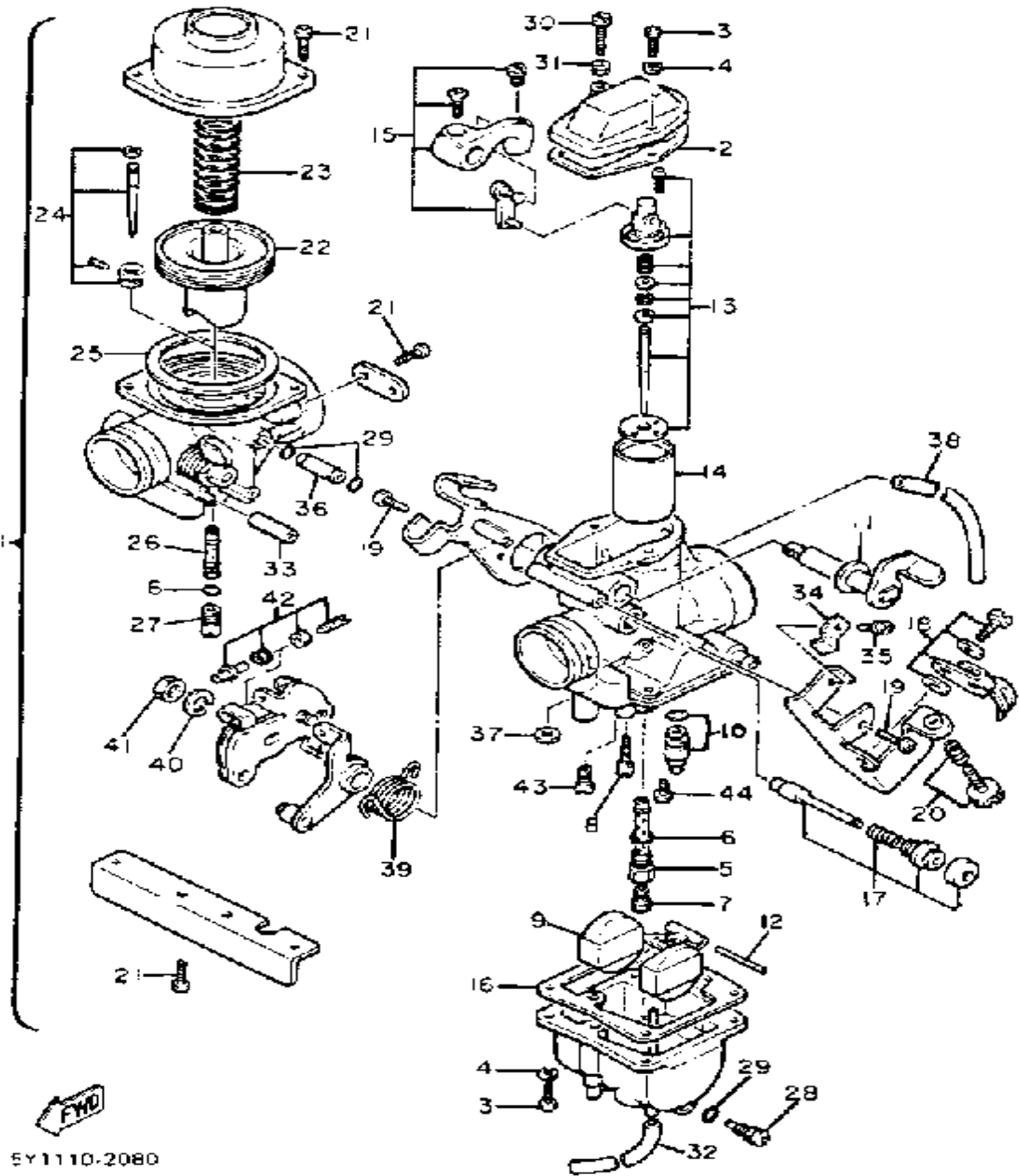


5Y1110-2080

Ref. No.	Part Number	Description	Qty	Remarks
1	5Y1-14301-03-00	CARBURETOR ASSEMBLY 1 (5Y1-14301-01)	1	
2	5Y1-14198-00-00	. GASKET	1	
3	98503-04014-00	. SCREW, PAN HEAD	6	
4	92901-04100-00	. WASHER, SPRING		6
5	5Y1-14341-26-00	. NOZZLE, MAIN	1	
6	360-24512-00-00	. GASKET	2	
7	288-14343-65-00	. JET, MAIN #1 0	1	
8	396-14342-22-00	. JET, PILOT #42 (#042)	1	
9	5Y1-14385-00-00	. FLOAT	1	
10	1JK-14107-01-00	. NEEDLE VALVE SET	1	
11	5Y1-14357-00-00	. WASHER, PLAIN	1	
12	6E5-14386-01-00	. PIN, FLOAT	1	
13	5Y1-1490J-10-00	. NEEDLE SET	1	
14	(5Y1-14312-45-00)	VALVE, THROTTLE 1	1	
15	5Y1-14203-00-00	. CABLE CONNECT SET	1	
16	5Y1-14384-00-00	. GASKET, FLOAT CHAMBER	1	
17	5Y1-1410A-00-00	. STARTER SET	1	
18	5Y1-14209-00-00	. LEVER CMPLT 2	1	
19	98580-04010-00	. SCREW, PAN HEAD	3	
20	5Y1-14103-00-00	. THROTTLE SCREW SET	1	
21	98580-05010-00	. SCREW, PAN HEAD	8	
22	5Y1-14340-00-00	. VALVE ASSEMBLY	1	
23	5Y1-14286-00-00	. SPRING	1	
24	5Y1-1490J-00-00	. NEEDLE SET	1	
25	5Y1-14398-00-00	. GASKET	1	
26	5Y1-14355-00-00	. NOZZLE, MAIN	1	
27	5Y1-14567-00-00	. SCREW	1	
28	5Y1-14115-00-00	. PLUG, SCREW	1	

CONTINUED ON NEXT FRAME ►

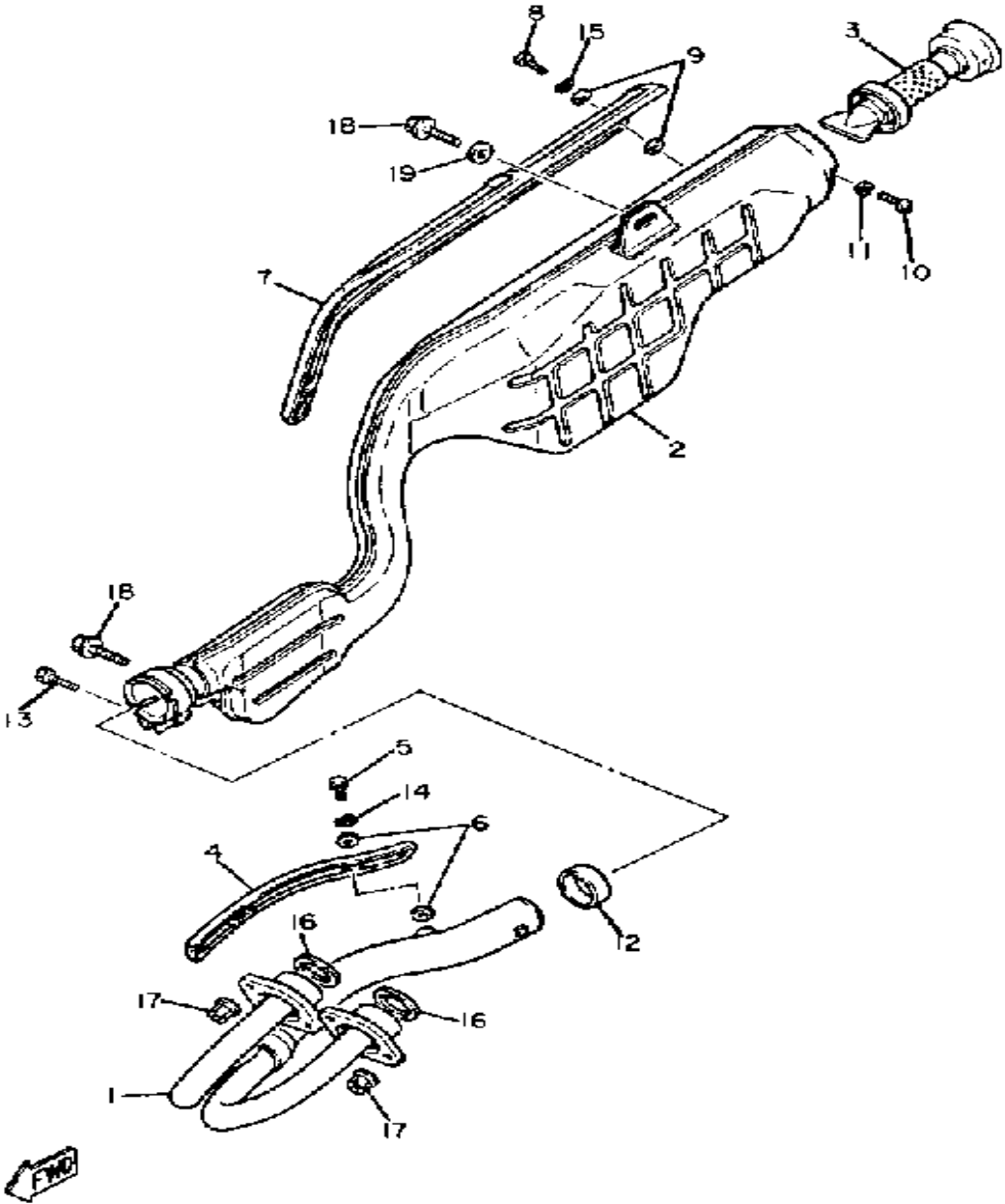
CARBURETOR



5Y1110-2080

Ref. No.	Part Number	Description	Qty	Remarks
29	5Y1-14397-00-00	. O-RING	3	
30	98580-04020-00	. SCREW, PAN HEAD	1	
31	95301-04700-00	. NUT (95302-04700)	1	
32	5Y1-14396-00-00	. PIPE	1	
33	5Y1-14349-00-00	. PIPE	1	
34	5Y1-14377-00-00	. STOPPER	1	
35	677-24444-01-00	. SCREW	1	
36	5Y1-14348-00-00	. PIPE 1	1	
37	5Y1-14536-00-00	. GASKET	1	
38	5Y1-14197-00-00	. PIPE, AIRVENT	1	
39	5Y1-14131-00-00	. SPRING, THRTL VALVE	1	
40	5Y1-14356-00-00	. WASHER, SPRING	1	
41	5Y1-14358-00-00	. NUT	1	
42	5Y1-1490K-00-00	. STOP SCREW SET	1	
43	(396-14343-62-00)	JET, MAIN #1 4	1	
44	98901-04006-00	. SCREW, BIND	1	

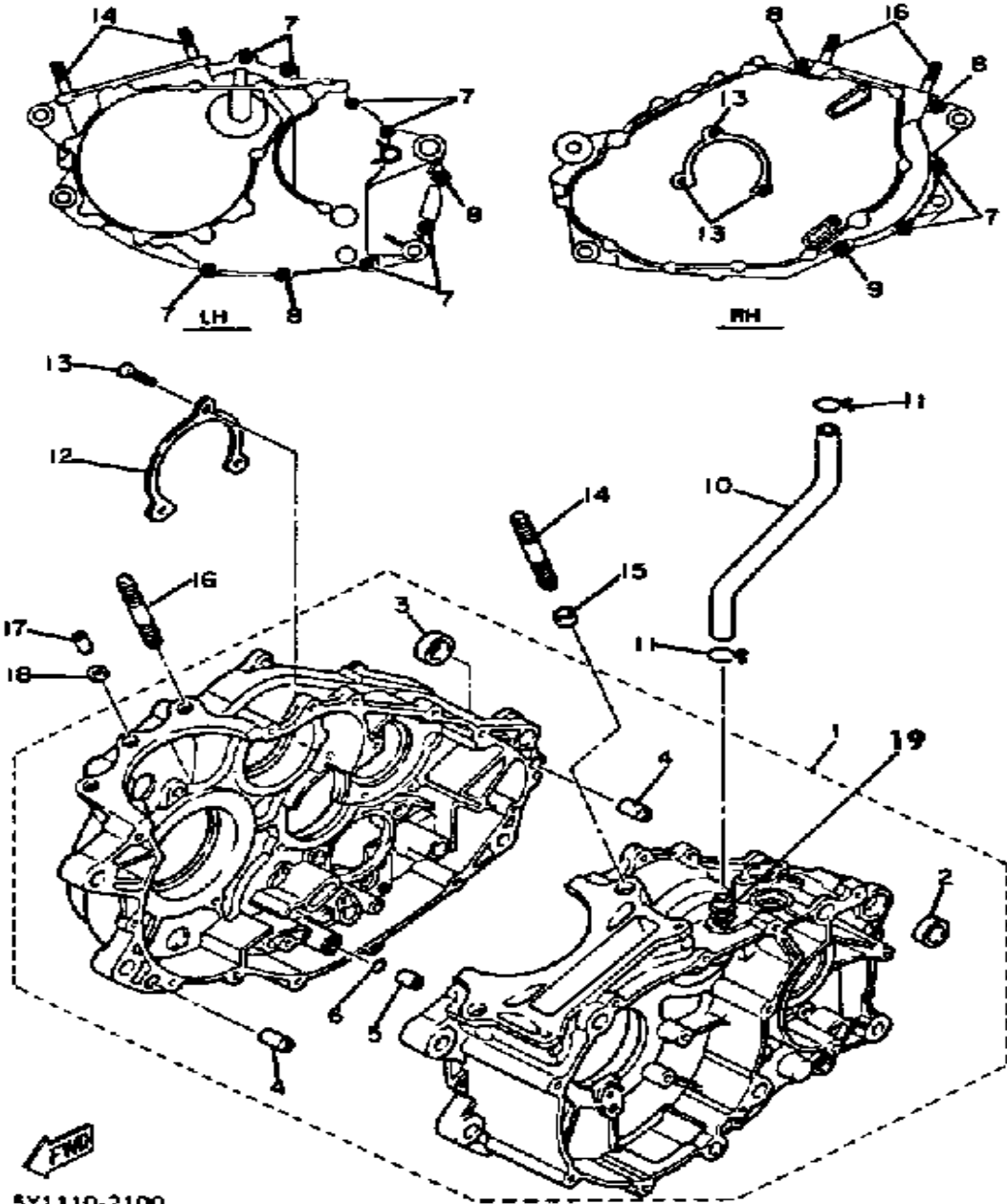
EXHAUST



5Y1110-2090

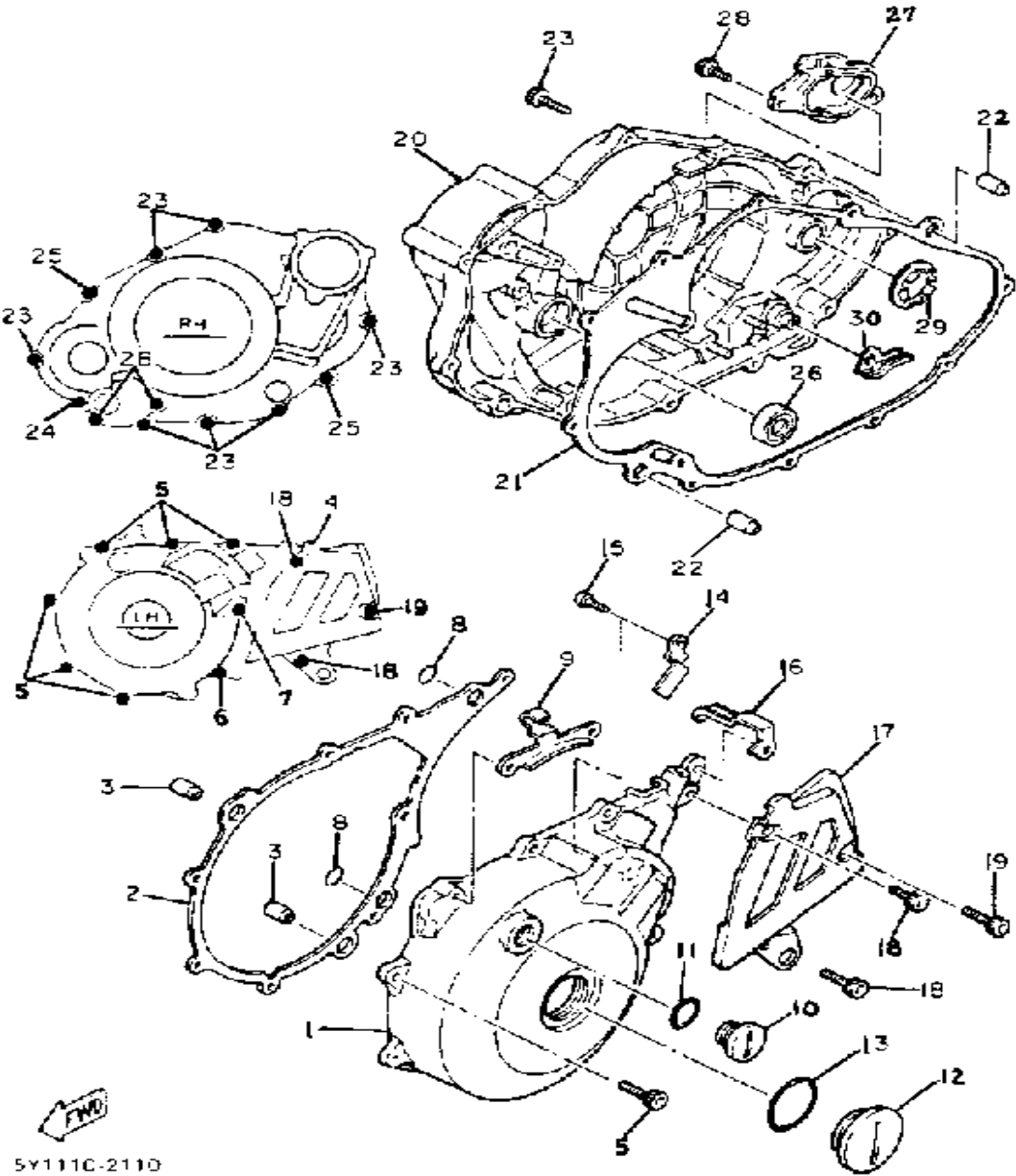
Ref. No.	Part Number	Description	Qty	Remarks
1	5Y1-14611-00-00	PIPE, EXHAUST L	1	
2	5Y1-14711-00-00	MUFFLER L	1	
3	5Y1-14752-01-00	PIPE, OUTLET	1	
4	5Y1-14628-01-00	PROTC, EXHAUST PIPE	1	
5	98906-06010-00	SCREW, BIND	2	
6	90202-05187-00	WASHER, PLATE	4	
7	5Y1-14728-02-00	PROTECTOR, MUFF 2	1	
8	98906-06010-00	SCREW, BIND	4	
9	90202-05187-00	WASHER, PLATE	8	
10	98580-06008-00	SCREW, PAN HEAD	1	
11	92995-06100-00	WASHER, SPRING	1	
12	1L9-14714-01-00	GASKET, MUFFLER	1	
13	97016-08025-00	BOLT	1	
14	90206-06090-00	WASHER, WAVE	2	
15	90206-06090-00	WASHER, WAVE	4	
16	3YF-14613-01-00	GASKET, EXHAUST PIPE	2	
17	90179-06499-00	NUT	4	
18	95811-08016-00	BOLT, FLANGE	2	
19	90201-08326-00	WASHER, PLATE	1	

CRANKCASE



Ref. No.	Part Number	Description	Qty	Remarks
1	5Y1-15100-05-00	CRANKCASE ASSEMBLY (5Y1-15100-00)	1	
2	90387-17783-00	. COLLAR	1	
3	90387-16782-00	. COLLAR	1	
4	99510-12016-00	. PIN, DOWEL	2	
5	99510-08016-00	. PIN, DOWEL	1	
6	93210-07438-00	. O-RING	1	
7	90110-06138-00	BOLT, HEX SKT HEAD	9	
8	91316-06045-00	BOLT, SOCKET HEAD	4	
9	91316-06060-00	BOLT	1	
10	5Y1-11166-00-00	PIPE, BREATHER 1	1	
11	90467-14015-00	CLIP	2	
12	5Y1-15383-00-00	PLATE, BEARING COVER	1	
13	98603-06012-00	SCREW, OVAL HEAD (92701-06012)	3	
14	90116-10087-00	BOLT, STUD	2	
15	99530-14016-00	PIN, DOWEL	2	
16	90116-10263-00	BOLT, STUD	2	
17	99510-08016-00	PIN, DOWEL	1	
18	90430-08178-00	GASKET	1	
19	371-11167-01-00	PIPE, BREATHER 2	1	

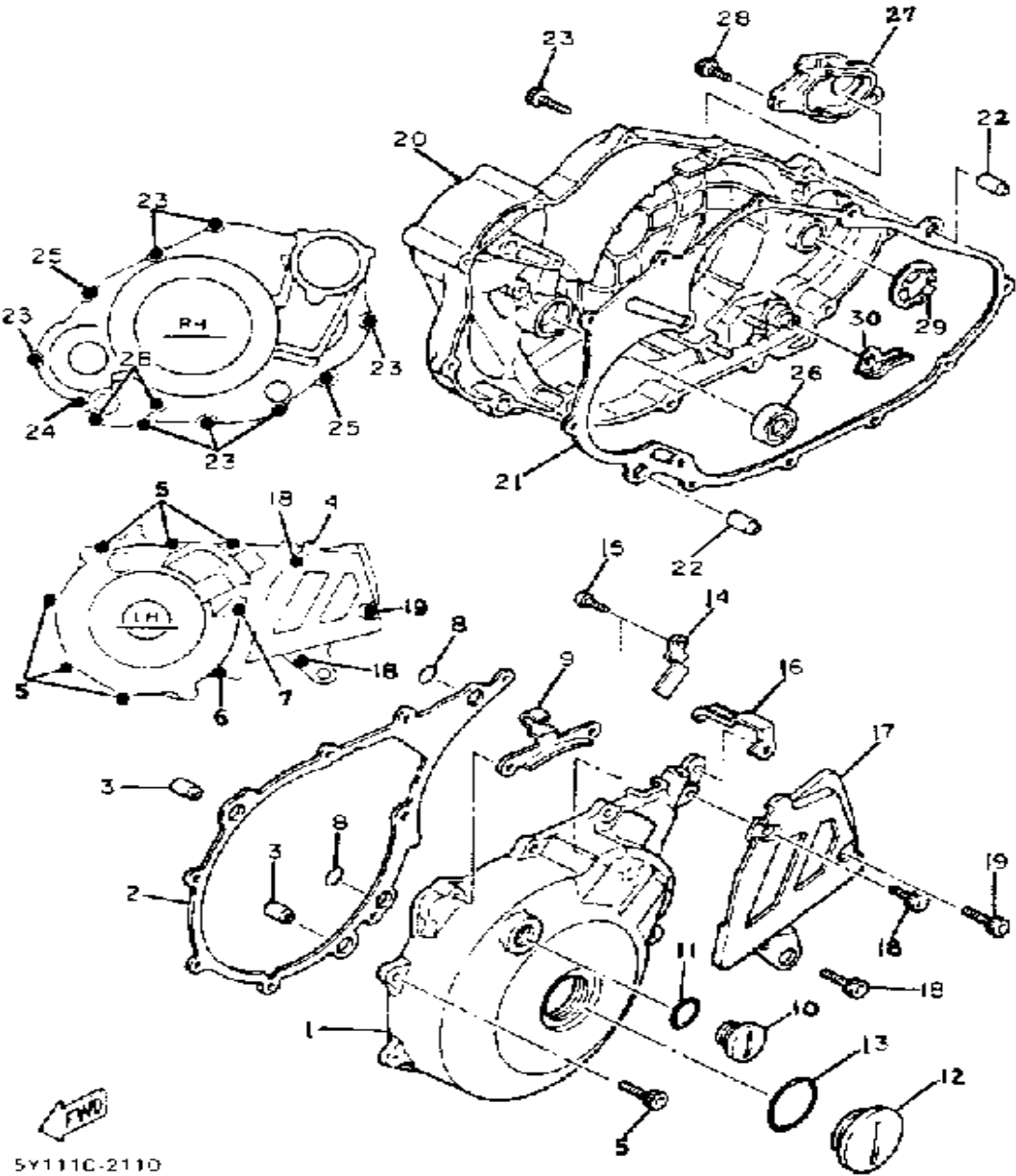
CRANKCASE COVER



Ref. No.	Part Number	Description	Qty	Remarks
1	5Y1-15411-00-00	COVER, CRANKCASE L	1	
2	3SW-15451-00-00	GASKET, CRANKCASE	1	
3	99510-12016-00	PIN, DOWEL	2	
4	91316-06020-00	BOLT, SOCKET HEAD	1	
5	91316-06025-00	BOLT	6	
6	91316-06040-00	BOLT, SOCKET HEAD	1	
7	91316-06050-00	BOLT, SOCKET HEAD	1	
8	93210-13361-00	O-RING	2	
9	5Y1-15441-00-00	HOLDER, CLCH CABLE	1	
10	90340-14079-00	PLUG, STRAIGHT SCRW	1	
11	93210-14369-00	O-RING	1	
12	90340-36078-00	PLUG, STRAIGHT SCREW	1	
13	93210-36510-00	O-RING	1	
14	90462-16102-00	CLAMP	1	
15	98580-06012-00	SCREW, PAN HEAD	1	
16	90462-10107-00	CLAMP	1	
17	5Y1-15421-02-00	COVER, CRANKCASE R	1	
18	91316-06016-00	BOLT, SOCKET HEAD	2	
19	91316-06025-00	BOLT	1	
20	5Y1-15431-03-00	COVER, CRANKCASE 3	1	
21	4DW-15462-00-00	GASKET, CRANKCASE COVER 3	1	
22	99510-12016-00	PIN, DOWEL	2	
23	91316-06025-00	BOLT	7	
24	90110-06138-00	BOLT, HEX SKT HEAD	1	
25	91316-06035-00	BOLT	2	
26	93101-14092-00	OIL SEAL (S7-14-25-5.5-1-HS)	1	
27	5Y1-15417-01-00	COVER, CAP	1	
28	91316-06016-00	BOLT, SOCKET HEAD	2	

CONTINUED ON NEXT FRAME ►

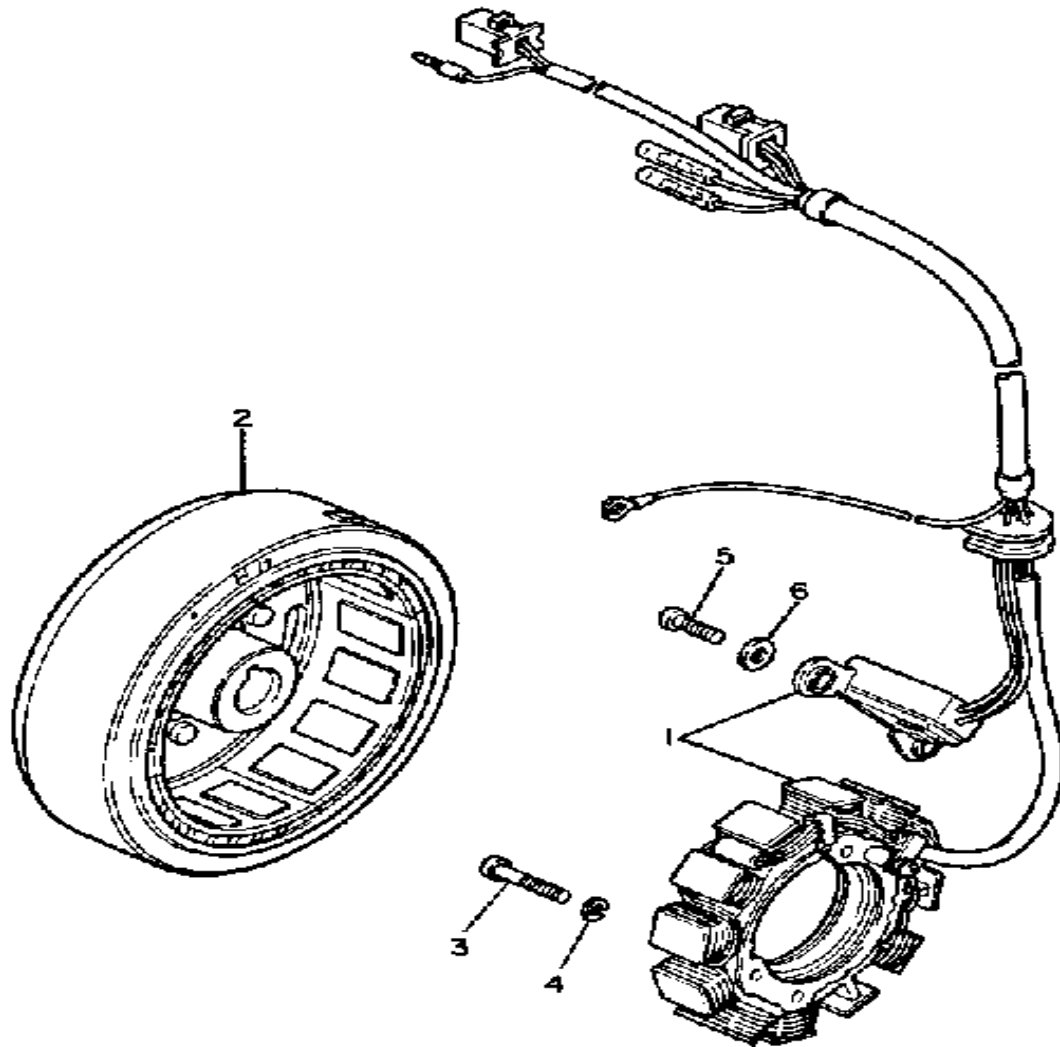
CRANKCASE COVER



Ref. No.	Part Number	Description	Qty	Remarks
29	5Y1-15645-00-00	SHIM, KICK SHAFT	1	
30	5Y1-1562F-01-00	PLATE, DECOMP	1	

5Y111C-211D

A - C - MAGNETO

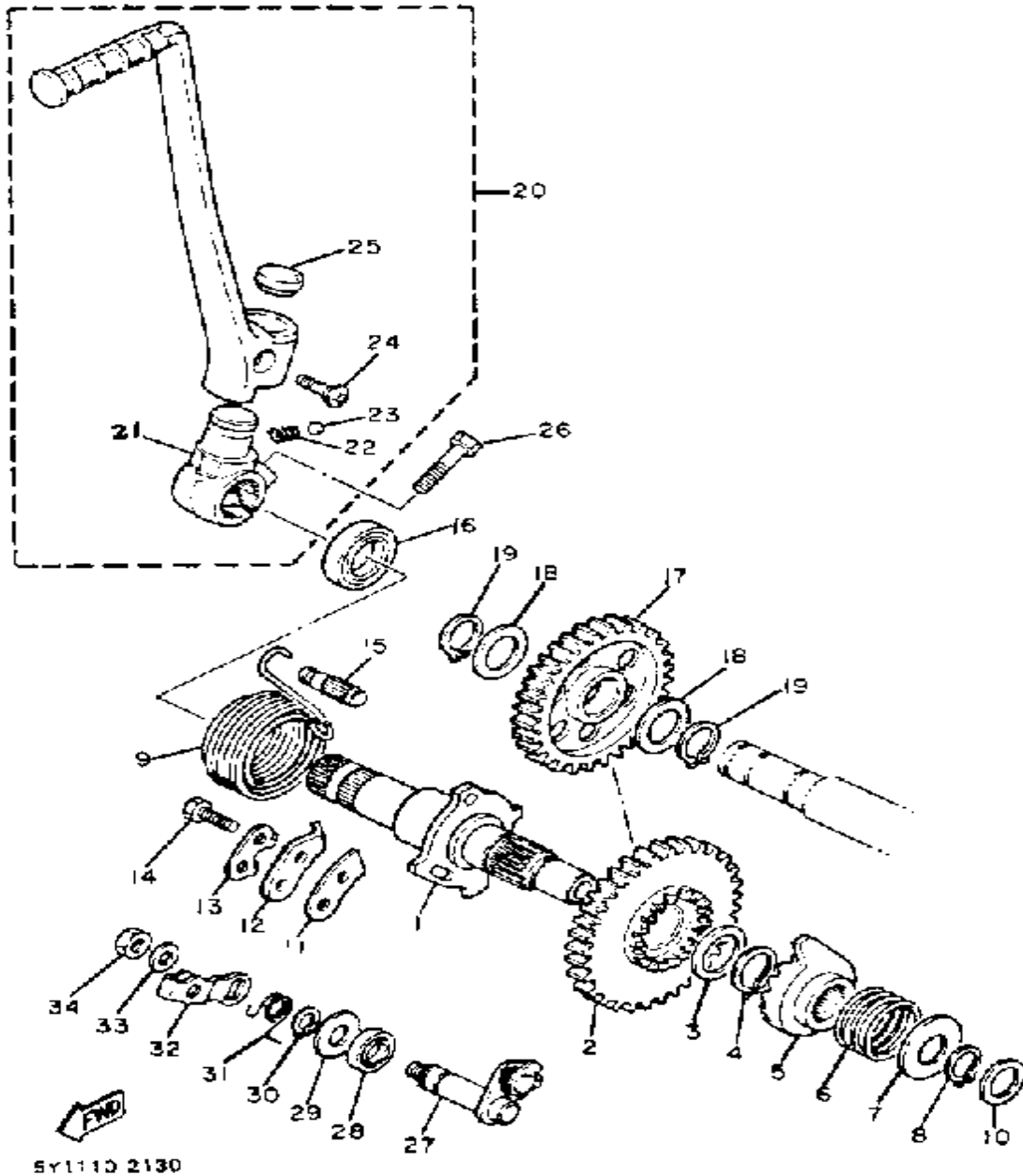


Ref. No.	Part Number	Description	Qty	Remarks
1	5Y1-81410-52-00	STATOR ASSEMBLY	1	
2	5Y1-81450-51-00	ROTOR ASSEMBLY	1	
3	98580-06035-00	SCREW, PAN HEAD	4	
4	92995-06100-00	WASHER, SPRING	4	
5	98580-06020-00	SCREW	2	
6	90201-06643-00	WASHER, PLATE	2	



5Y1110-2120

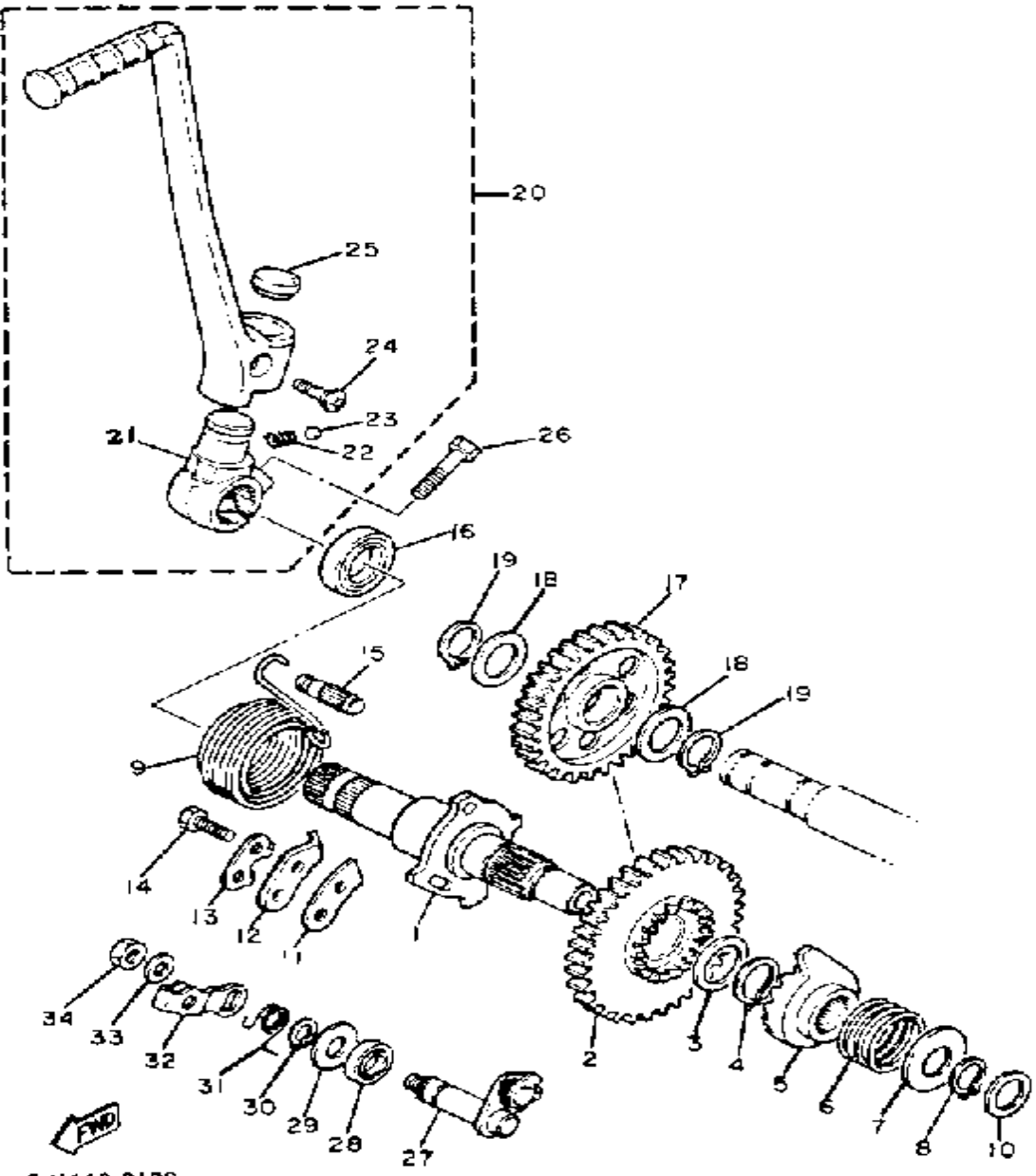
KICK - STARTER



Ref. No.	Part Number	Description	Qty	Remarks
1	5Y1-15660-01-00	KICK CRANK ASSEMBLY	1	
2	5Y1-15641-00-00	GEAR, KICK	1	
3	90201-20685-00	WASHER, PLATE (0.5T)	1	
4	93410-20038-00	CIRCLIP	1	
5	5Y1-15671-01-00	WHEEL, RATCHET (5Y1-15671-00)	1	
6	90501-16107-00	SPRING, COMPRESSION	1	
7	90201-155K6-00	WASHER, PLATE	1	
8	99009-15400-00	CIRCLIP	1	
9	90508-32529-00	SPRING, TORSION	1	
10	90201-15701-00	WASHER, PLATE (1.0T)	1	
11	2NX-15668-00-00	STOPPER	1	
12	2NX-15674-00-00	GUIDE, RATCHET WHEEL	1	
13	214-15686-00-00	WASHER, LOCK	1	
14	97011-06016-00	BOLT	2	
15	248-15668-00-00	STOPPER	1	
16	93102-20108-00	OIL SEAL	1	
17	5Y1-15651-01-00	GEAR, KICK IDLE	1	
18	90201-20276-00	WASHER, PLATE (1.0T)	2	
19	99009-20400-00	CIRCLIP	2	
20	5Y1-15620-02-00	KICK CRANK ASSEMBLY	1	
21	5Y1-15621-01-00	. BOSS, KICK CRANK	1	
22	90501-12081-00	. SPRING, COMPRESSION	1	
23	93507-32031-00	. BALL	1	
24	90157-06048-00	. SCREW, PAN HEAD - (90152-06010)	1	
25	90336-18038-00	. PLUG, TAPER	1	
26	97313-08030-00	BOLT, HEXAGON	1	
27	3Y1-1561A-02-00	LEVER DCOMP ASSEMBLY	1	

CONTINUED ON NEXT FRAME ►

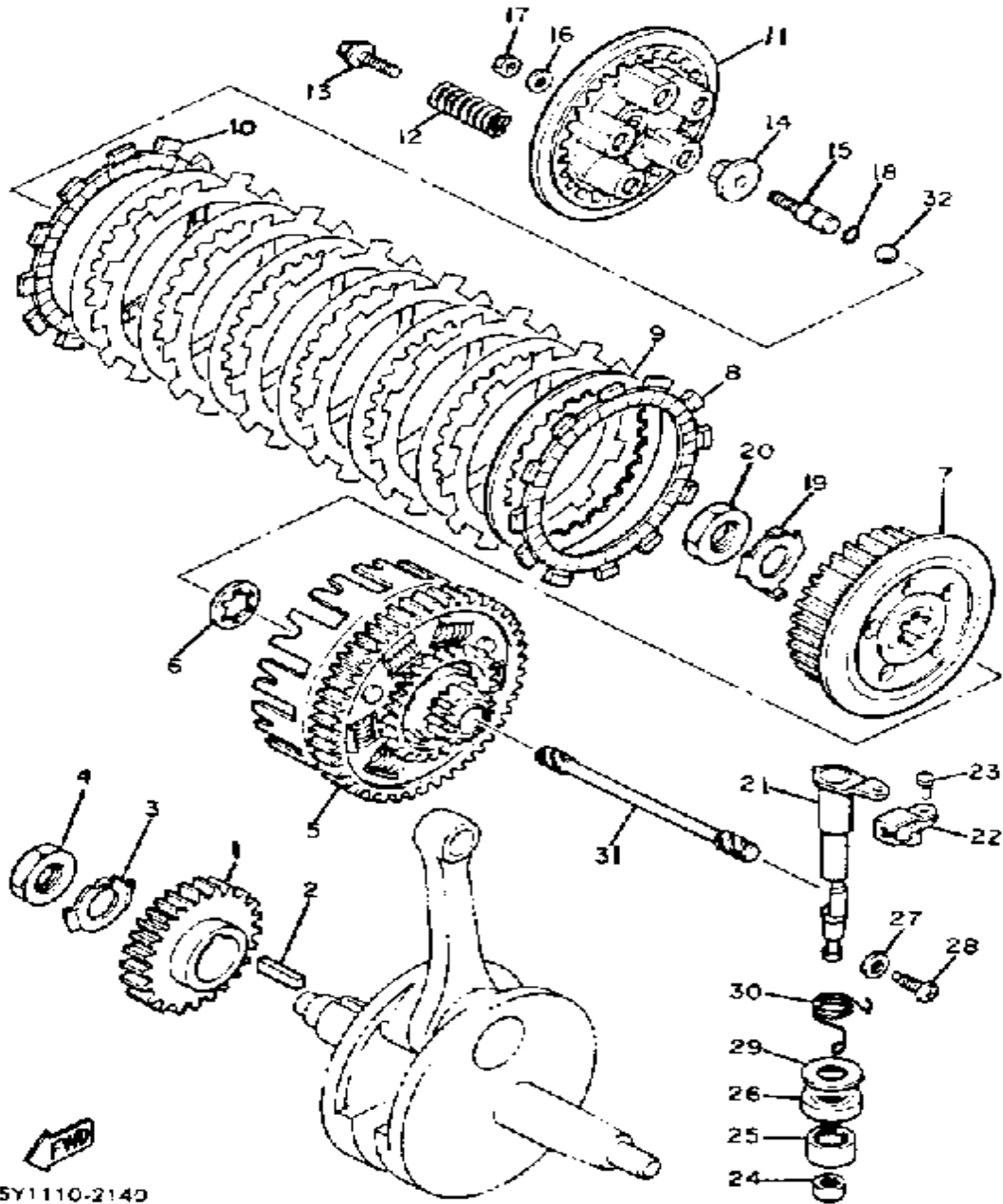
KICK - STARTER



5Y1110 2130

Ref. No.	Part Number	Description	Qty	Remarks
28	93102-10207-00	OIL SEAL (SD 10-21-5 HS)	1	
29	90201-105J4-00	WASHER, PLATE (90201-106H1)	1	
30	99009-10400-00	CIRCLIP	1	
31	90508-14524-00	SPRING, TORSION	1	
32	5Y1-1561G-00-00	LEVER, CABLE	1	
33	92901-06600-00	WASHER	1	
34	95311-06700-00	NUT	1	

CLUTCH

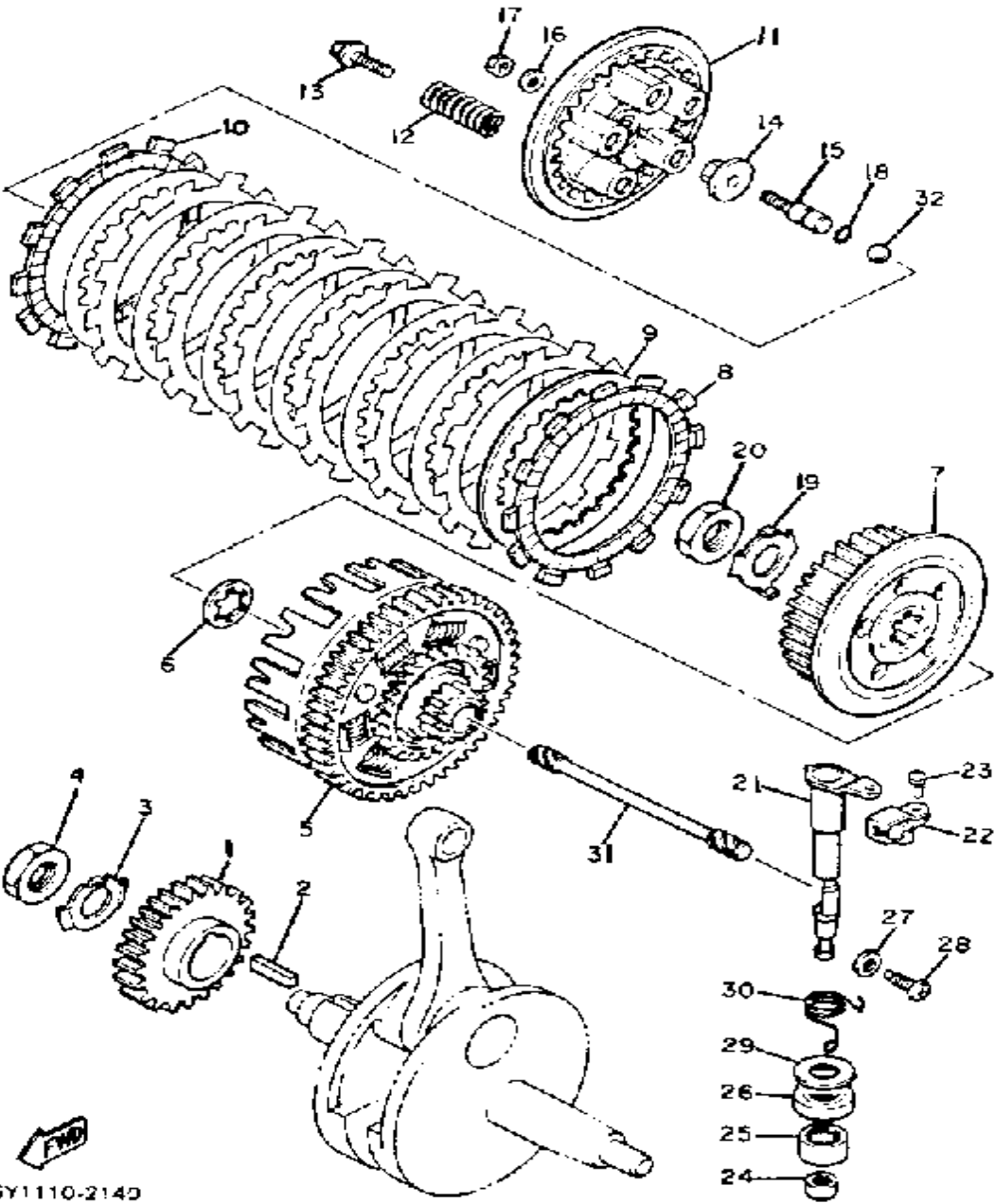


5Y1110-214D

Ref. No.	Part Number	Description	Qty	Remarks
1	5Y1-16111-01-00	GEAR, PRI DRIVE	1	
2	90282-07042-00	KEY, STRAIGHT	1	
3	90215-20197-00	WASHER, LOCK	1	
4	90170-20274-00	NUT, HEXAGON	1	
5	1JL-16150-00-00	PRI DRVN GEAR	1	
6	3Y1-16154-00-00	PLATE, THRUST 1	1	
7	5Y1-16371-01-00	BOSS, CLUTCH (5Y1-16371-00)	1	
8	5Y1-16321-00-00	PLATE, FRICTION	7	
9	360-16325-00-00	PLATE, CLUTCH 2	7	
10	5Y1-16331-01-00	PLATE, FRICTION 2	1	
11	5Y1-16351-00-00	PLATE, PRESSURE 1	1	
12	90501-23142-00	SPRING, COMPRESSION	5	
13	90159-06016-00	SCREW, WITH WASHER	5	
14	30X-16358-00-00	PLATE, PUSH	1	
15	5Y1-16356-00-00	ROD, PUSH 1	1	
16	92990-06200-00	WASHER	1	
17	95380-06600-00	NUT	1	
18	93210-09525-00	O-RING	1	
19	90215-20231-00	WASHER, LOCK	1	
20	90170-20327-00	NUT	1	
21	5Y1-16380-00-00	PUSH LEVER COMP.	1	
22	214-16389-00-00	JOINT	1	
23	90243-06016-00	PIN	1	
24	93317-11020-00	BEARING	1	
25	93315-11720-00	BEARING	1	
26	93102-17357-00	OIL SEAL	1	
27	90201-08087-00	WASHER, PLATE	1	
28	90149-08067-00	SCREW	1	
29	90201-17327-00	WASHER, PLATE	1	

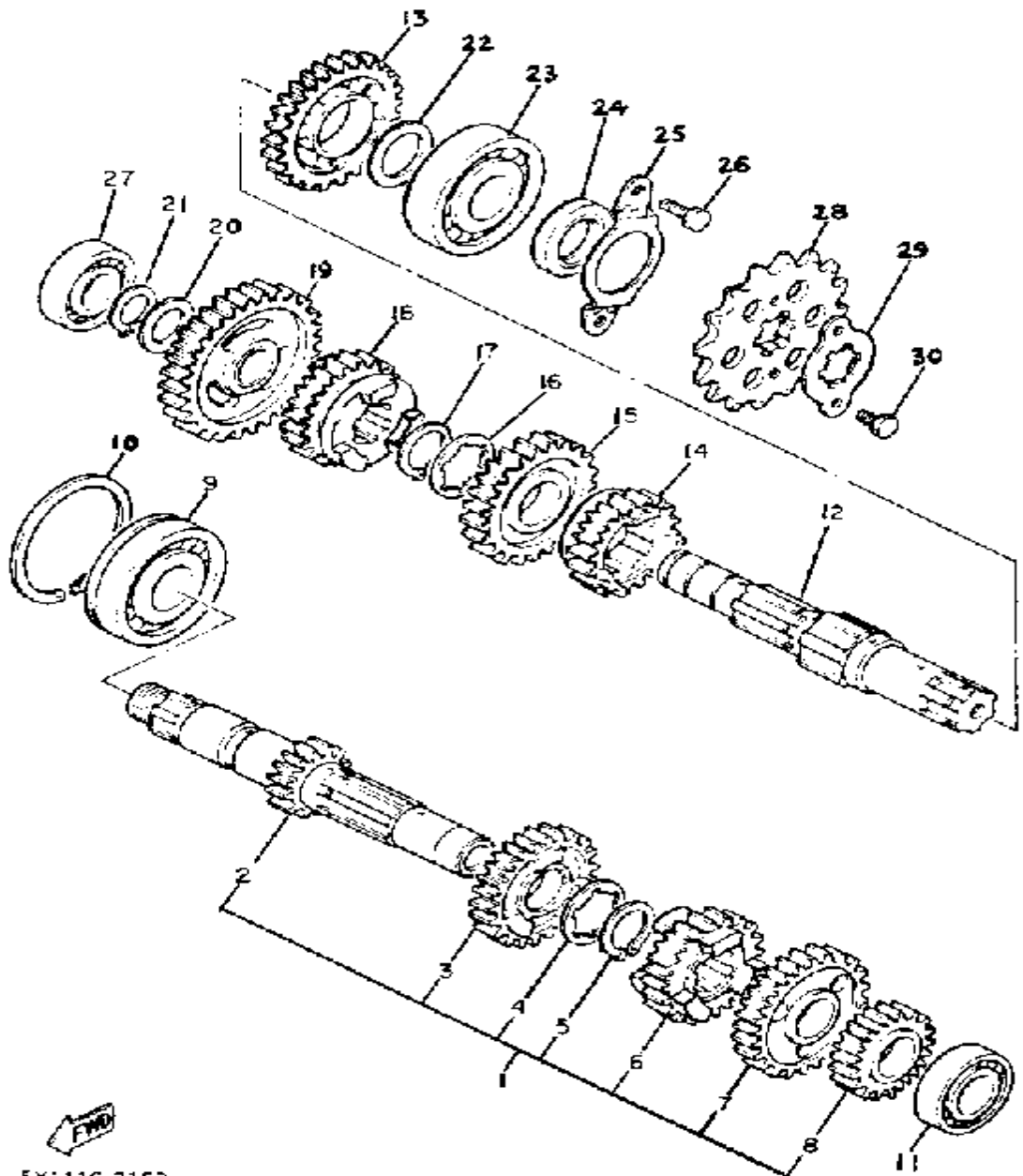
CONTINUED ON NEXT FRAME ➤

CLUTCH



Ref. No.	Part Number	Description	Qty	Remarks
30	90508-14526-00	SPRING, TORSION	1	
31	5Y1-16357-00-00	ROD, PUSH 2	1	
32	93515-32029-00	BALL	1	

TRANSMISSION

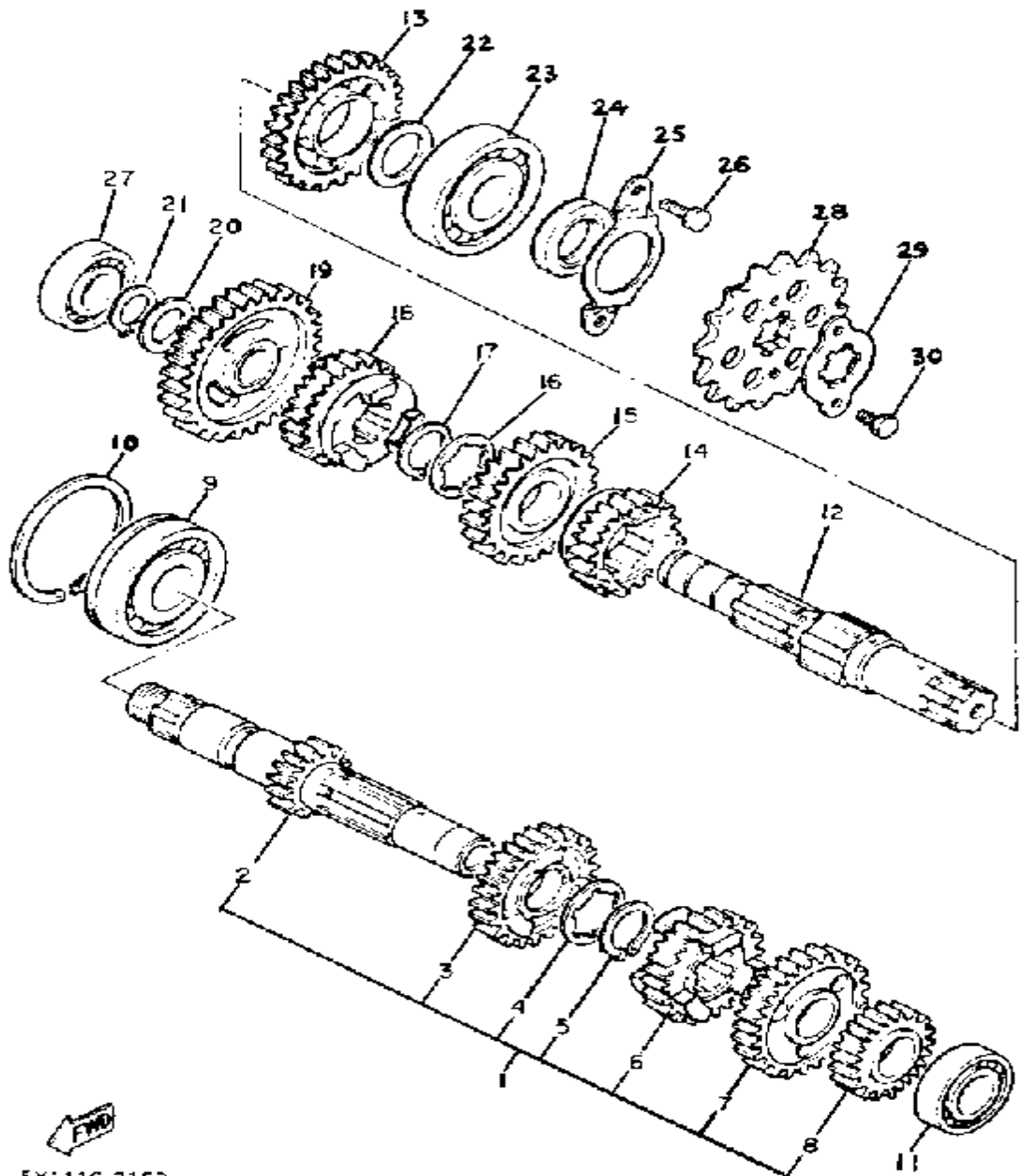


5Y111C-2150


Ref. No.	Part Number	Description	Qty	Remarks
1	34K-17410-00-00	MAIN AXLE	1	
2	5Y1-17411-00-00	. AXLE, MAIN	1	
3	34K-17141-00-00	. GEAR, 4TH PINION (22T)	1	
4	90209-22191-00	. WASHER	1	
5	93440-25084-00	. CIRCLIP	1	
6	5Y1-17131-00-00	. GEAR, 3RD PINION (20T)	1	
7	5Y1-17151-01-00	. GEAR, 5TH PINION	1	
8	5Y1-17121-00-00	. GEAR, 2ND PINION	1	
9	93306-30530-00	BEARING (6305NC3)	1	
10	93440-62032-00	CIRCLIP, OUTER	1	
11	93306-00429-00	BEARING	1	
12	5Y1-17402-00-00	DRIVE AXLE ASSEMBLY	1	
13	5Y1-17221-01-00	GEAR, 2ND WHEEL	1	
14	5Y1-17251-00-00	GEAR, 5TH WHEEL	1	
15	5Y1-17231-00-00	GEAR, 3RD WHEEL	1	
16	90209-22191-00	WASHER	1	
17	93440-25084-00	CIRCLIP	1	
18	5Y1-17241-01-00	GEAR, 4TH WHEEL	1	
19	(5Y1-17211-01-00)	GEAR, 1ST WHEEL	1	
20	90201-20276-00	WASHER, PLATE (1.0T)	1	
21	99009-20400-00	CIRCLIP	1	
22	90201-253K0-00	WASHER, PLATE (T=1.0)	1	
23	93306-30535-00	BEARING	1	
24	93102-25226-00	OIL SEAL	1	
25	5Y1-17471-00-00	PLATE, COVER	1	
26	97011-06016-00	BOLT	2	
27	93306-00426-00	BEARING	1	
28	93834-15080-00	SPROCKET, DRIVE (5Y1-17461-50)	1	

CONTINUED ON NEXT FRAME ►

TRANSMISSION

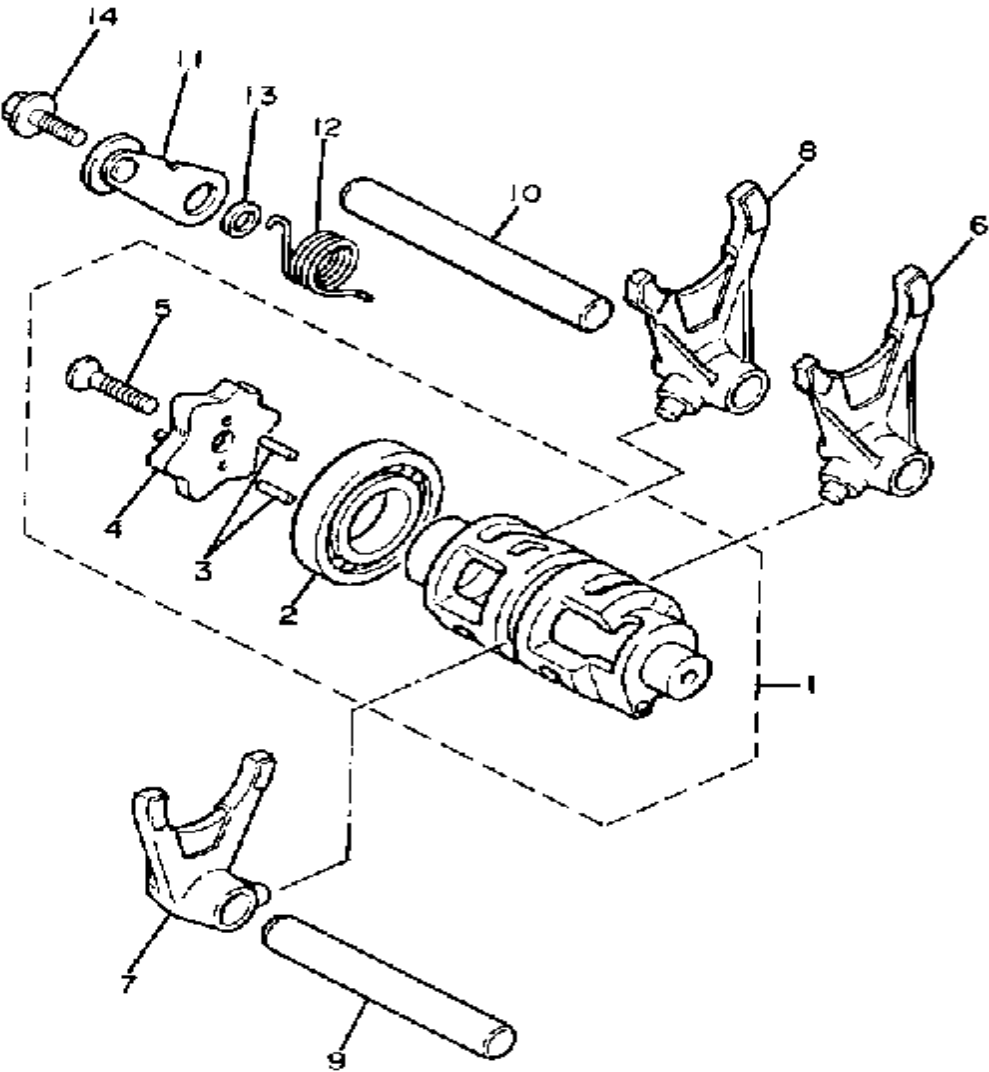


Ref. No.	Part Number	Description	Qty	Remarks
29	3Y1-17456-00-00	HOLDER, SPROCKET	1	
30	97011-06010-00	BOLT	2	



 5Y 11C-2150

SHIFT CAM - FORK

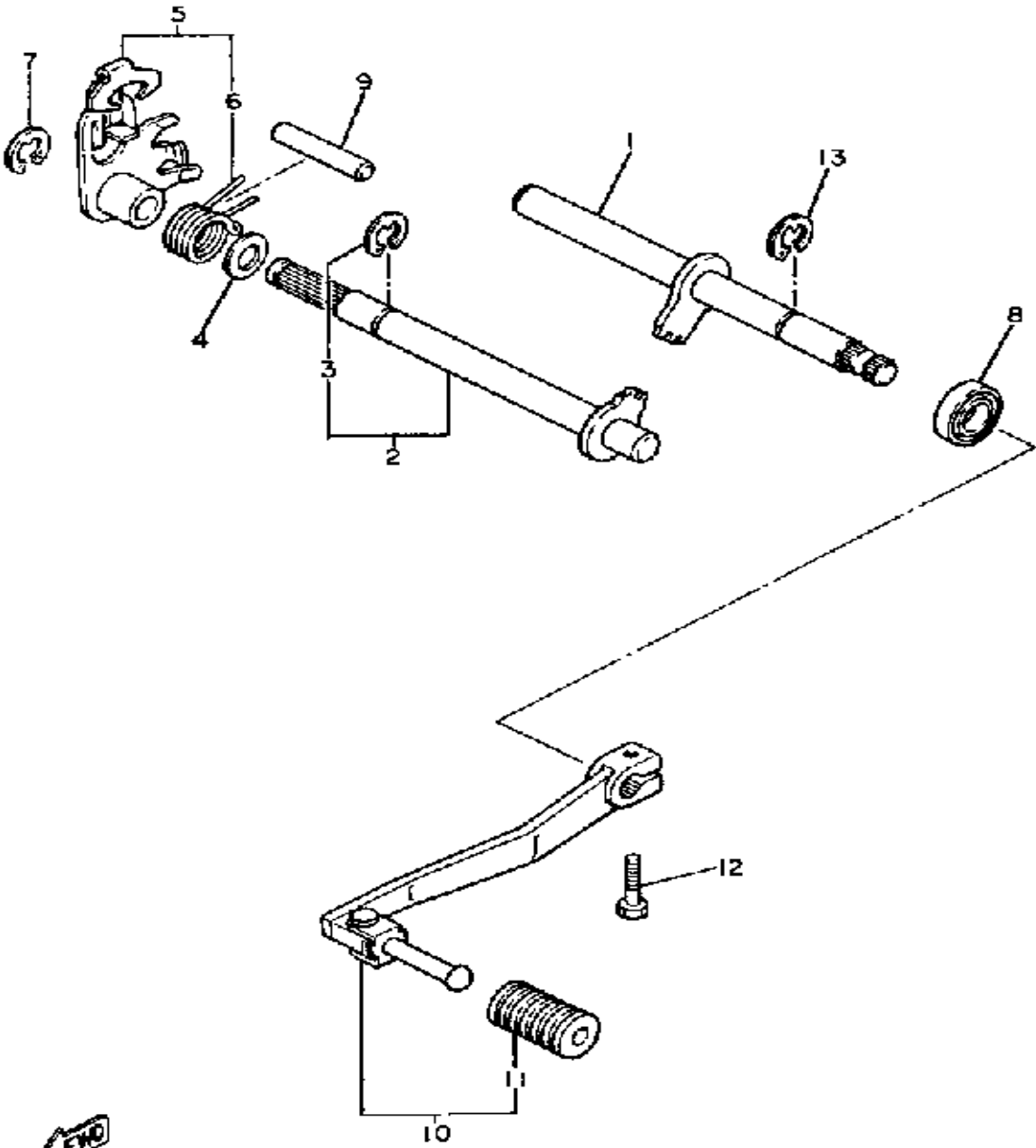


Ref. No.	Part Number	Description	Qty	Remarks
1	3YF-18540-00-00	SHIFT CAM ASSEMBLY	1	
2	93316-00503-00	. BEARING, CYLINDER.#16 (93316-00504)	1	
3	93604-10011-00	. PIN, DOWEL	2	
4	5Y1-18185-00-00	. SEGMENT	2	
5	90151-06017-00	. SCREW, COUNTERSUNK	1	
6	5Y1-18511-00-00	FORK, SHIFT 1	1	
7	5Y1-18512-00-00	FORK, SHIFT 2	1	
8	5Y1-18513-00-00	FORK, SHIFT 3	1	
9	11H-18531-00-00	INACTIVE PART NUMBERGUIDE 1	1	
10	5Y1-18535-00-00	BAR, SHIFT FORK GUIDE 2	1	
11	5Y1-18140-00-00	STOPPER LEVER ASSEMBLY	1	
12	90508-29527-00	SPRING, TORSION	1	
13	90387-063F7-00	COLLAR	1	
14	90159-06016-00	SCREW, WITH WASHER	1	



5Y1110-2160

SHIFT SHAFT - PEDAL

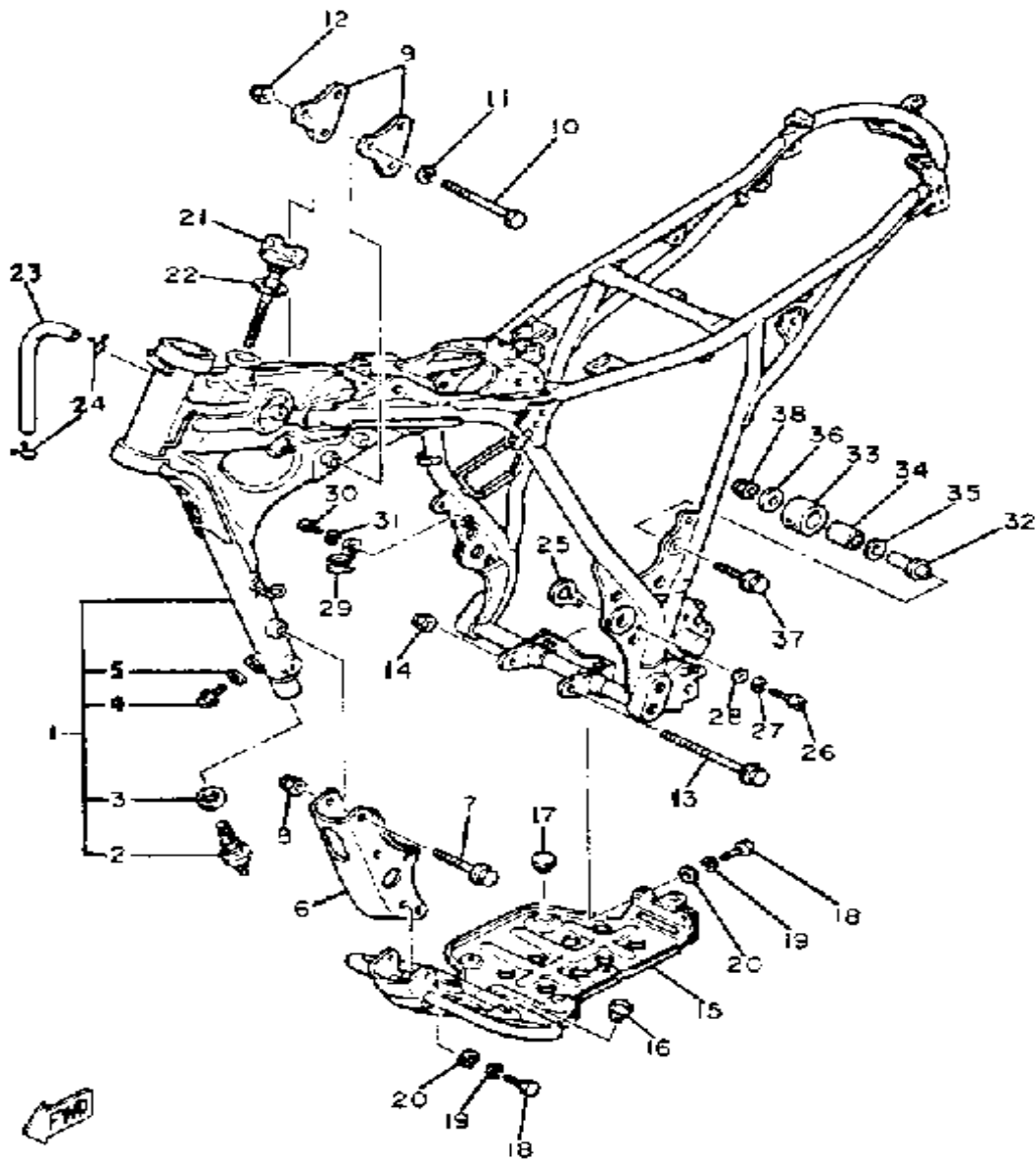


Ref. No.	Part Number	Description	Qty	Remarks
1	43F-18102-02-00	SHIFT SHAFT ASSEMBLY 2	1	
2	5Y1-18101-02-00	SHIFT SHAFT ASSEMBLY	1	
3	99006-10600-00	. CIRCLIP	1	
4	90201-12474-00	WASHER, PLATE	1	
5	5Y1-18120-01-00	SHIFT LEVER ASSEMBLY	1	
6	90508-29629-00	. SPRING, TORSION	1	
7	99001-09600-00	CIRCLIP	1	
8	93102-12321-00	OIL SEAL, SD-TYPE	1	
9	93608-33046-00	PIN, DOWEL	1	
10	5Y1-18110-01-00	SHIFT PEDAL ASSEMBLY	1	
11	1W6-18113-00-00	. COVER, SHIFT PEDAL	1	
12	97016-06020-00	BOLT	1	
13	99006-10600-00	CIRCLIP	1	



5Y1110-2170

FRAME

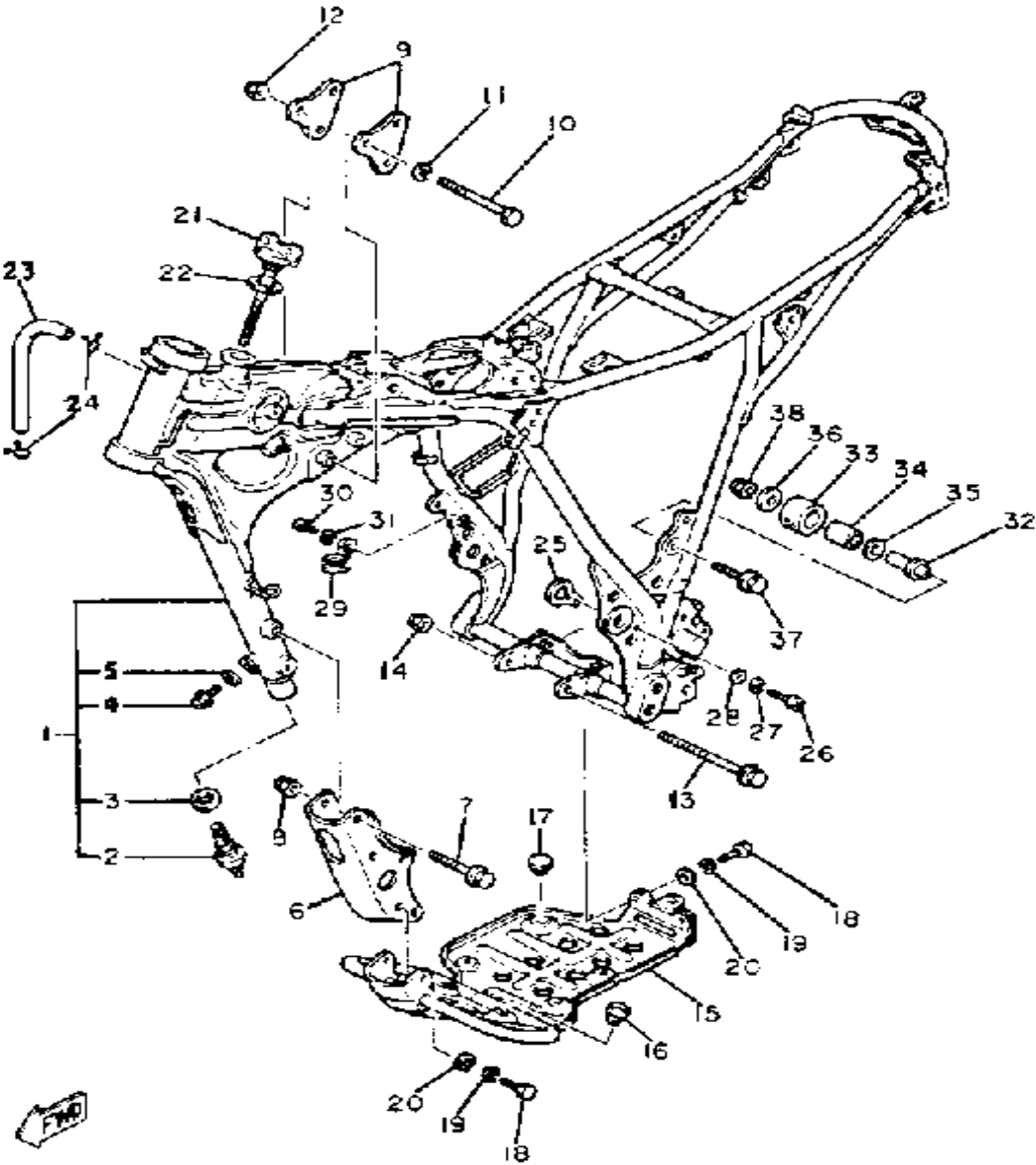


5Y111C-2180

Ref. No.	Part Number	Description	Qty	Remarks
1	(5Y1-21110-04-98)	FRAME	1	5Y1-005632~
	(99999-01297-00)	FRAME	1	BLACK
2	5Y1-21756-01-00	. NET, FILTER	1	
3	90430-22123-00	. GASKET	1	
4	95811-08012-00	. BOLT, FLANGE	1	
5	90201-08087-00	. WASHER, PLATE	1	
6	(5Y1-21316-00-00)	STAY, ENGINE 3	1	
7	95811-10065-00	BOLT, FLANGE	4	
8	90185-10060-00	NUT, SELF-LOCKING	4	
9	(5Y1-21315-01-00)	STAY, ENGINE 2	2	
10	97011-10080-00	BOLT	3	
11	92990-10100-00	WASHER, SPRING	3	
12	90185-10060-00	NUT, SELF-LOCKING	3	
13	95811-10100-00	BOLT, FLANGE	1	
14	90185-10060-00	NUT, SELF-LOCKING	1	
15	(5Y1-21471-01-R4)	PROTECTOR, ENGINE	1	BLACK
16	3Y1-24768-00-00	STOPPER	3	
17	128-27114-00-00	STOPPER, MAIN STAND	3	
18	97313-06016-00	BOLT, HEXAGON	4	
19	92995-06100-00	WASHER, SPRING	4	
20	92901-06600-00	WASHER	4	
21	5Y1-21771-00-00	BODY, CAP	1	
22	90430-27124-00	GASKET	1	
23	90445-11617-00	HOSE	1	
24	90467-10008-00	CLIP	2	
25	(5Y1-21329-01-00)	PLATE	1	
26	98580-06012-00	SCREW, PAN HEAD	1	
27	92995-06100-00	WASHER, SPRING	1	
28	92901-06600-00	WASHER	1	

CONTINUED ON NEXT FRAME ►

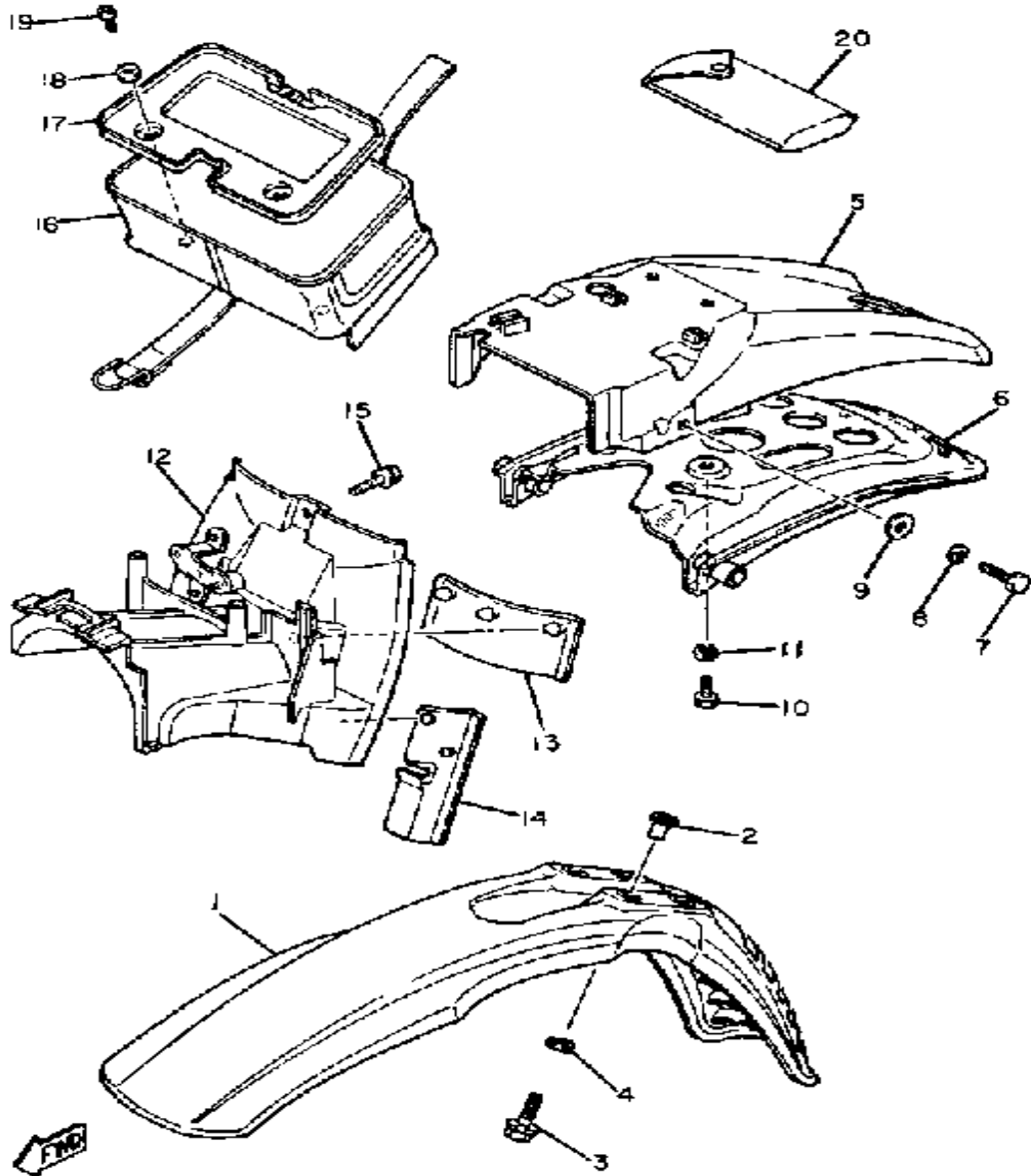
FRAME



5Y111C-2180

Ref. No.	Part Number	Description	Qty	Remarks
29	5Y1-21441-00-00	BRACKET, STOP SWITCH	1	
30	98580-06012-00	SCREW, PAN HEAD	1	
31	92995-06100-00	WASHER, SPRING	1	
32	2K7-2148A-00-00	SHAFT	1	
33	30X-22178-00-00	TENSIONER	1	
34	4V4-22184-00-00	BUSH	1	
35	90201-13202-00	WASHER, PLATE	1	
36	90201-08753-00	WASHER, PLATE	1	
37	95811-08050-00	BOLT, FLANGE (95812-08050) .	1	
38	90185-08089-00	NUT, SELF-LOCKING	1	

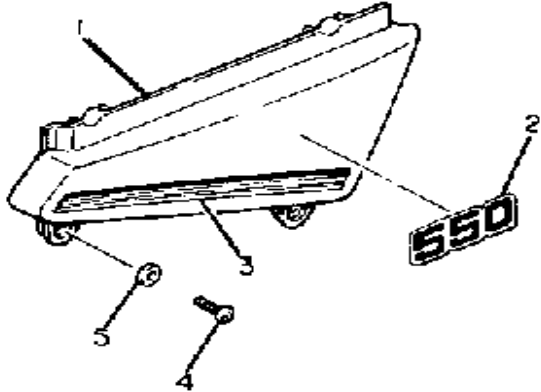
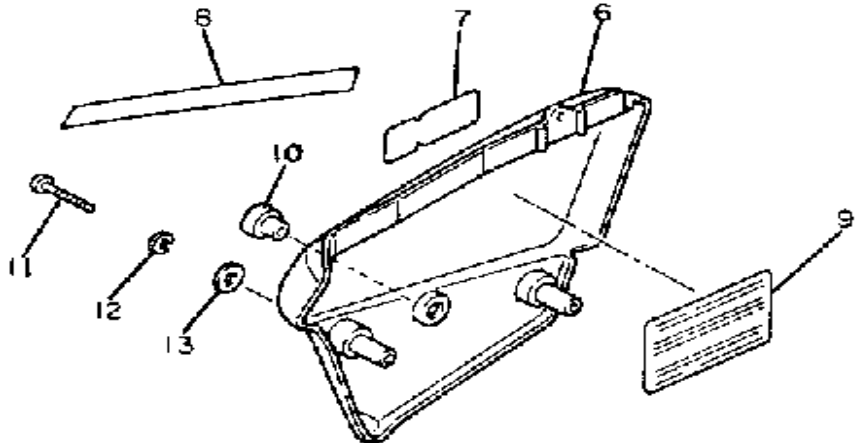
FRONT FENDER - REAR FENDER



6Y1110-2190

Ref. No.	Part Number	Description	Qty	Remarks
1	5Y1-21511-00-00	FENDER, FRONT	1	CLEAN WHITE
2	90387-07789-00	COLLAR	4	
3	90119-06063-00	BOLT, WITH WASHER	4	
4	92995-06100-00	WASHER, SPRING	4	
5	5Y1-21611-00-00	FENDER, REAR	1	CLEAN WHITE
6	5Y1-21670-01-00	REINFORCEMENT	1	
7	97001-08025-00	BOLT (1NV)	2	
8	92990-08100-00	WASHER	2	
9	90201-06M08-00	WASHER, PLATE	2	
10	97301-06014-00	BOLT, HEXAGON	2	
11	92995-06100-00	WASHER, SPRING	2	
12	(5Y1-21620-01-00)	GUARD, MUD	1	
	(5Y1-21620-01-00)	GUARD, MUD	1	5Y1-005622~
13	1M1-21621-00-00	FLAP	1	
14	(5Y1-21621-00-00)	FLAP	1	
15	90119-06042-00	BOLT, WITH WASHER	1	
16	5Y1-24850-00-00	CARRIER BOX ASSEMBLY ...	1	
17	5Y1-24833-01-00	BRACKET, CARRIER 2	1	
18	90201-06057-00	WASHER, PLATE	3	
19	98503-06014-00	SCREW, PAN HEAD (92502-06016)	3	
20	3YF-28100-00-00	TOOL KIT	1	

SIDE COVER - TOOL

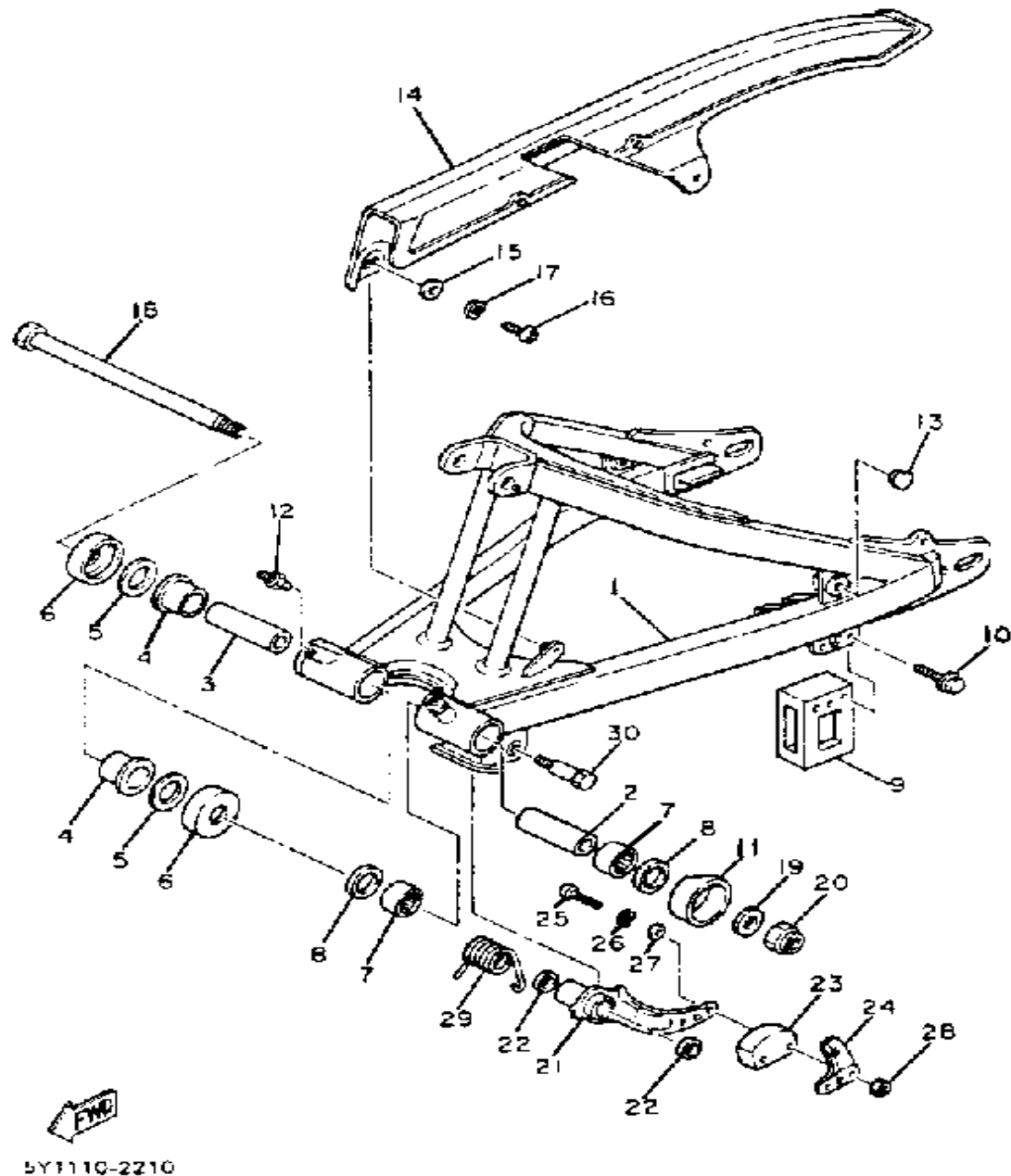


Ref. No.	Part Number	Description	Qty	Remarks
1	5Y1-21711-01-98	COVER, SIDE 1	1	LOW GLOSS BLACK CHAPPY RED
2	5Y1-21781-00-00	EMBLEM 1	1	
3	5Y1-2173E-00-00	GRAPHIC	1	
4	98516-06012-00	SCREW, PAN HEAD	2	
5	92906-06600-00	WASHER	2	
6	5Y1-21721-01-E1	COVER, SIDE 2	1	LOW GLOSS BLACK CHAPPY RED
7	5Y1-21781-00-00	EMBLEM 1	1	
8	5Y1-2173F-00-00	GRAPHIC	1	
9	(5Y1-21683-00-00)	PLATE, SPEC	1	
10	5H0-82121-00-00	PAD, BATTERY	1	
11	98506-06040-00	SCREW, PAN HEAD	2	
12	92906-06100-00	WASHER, SPRING	2	
13	90201-062A8-00	WASHER, PLATE	2	



5Y1110-2200

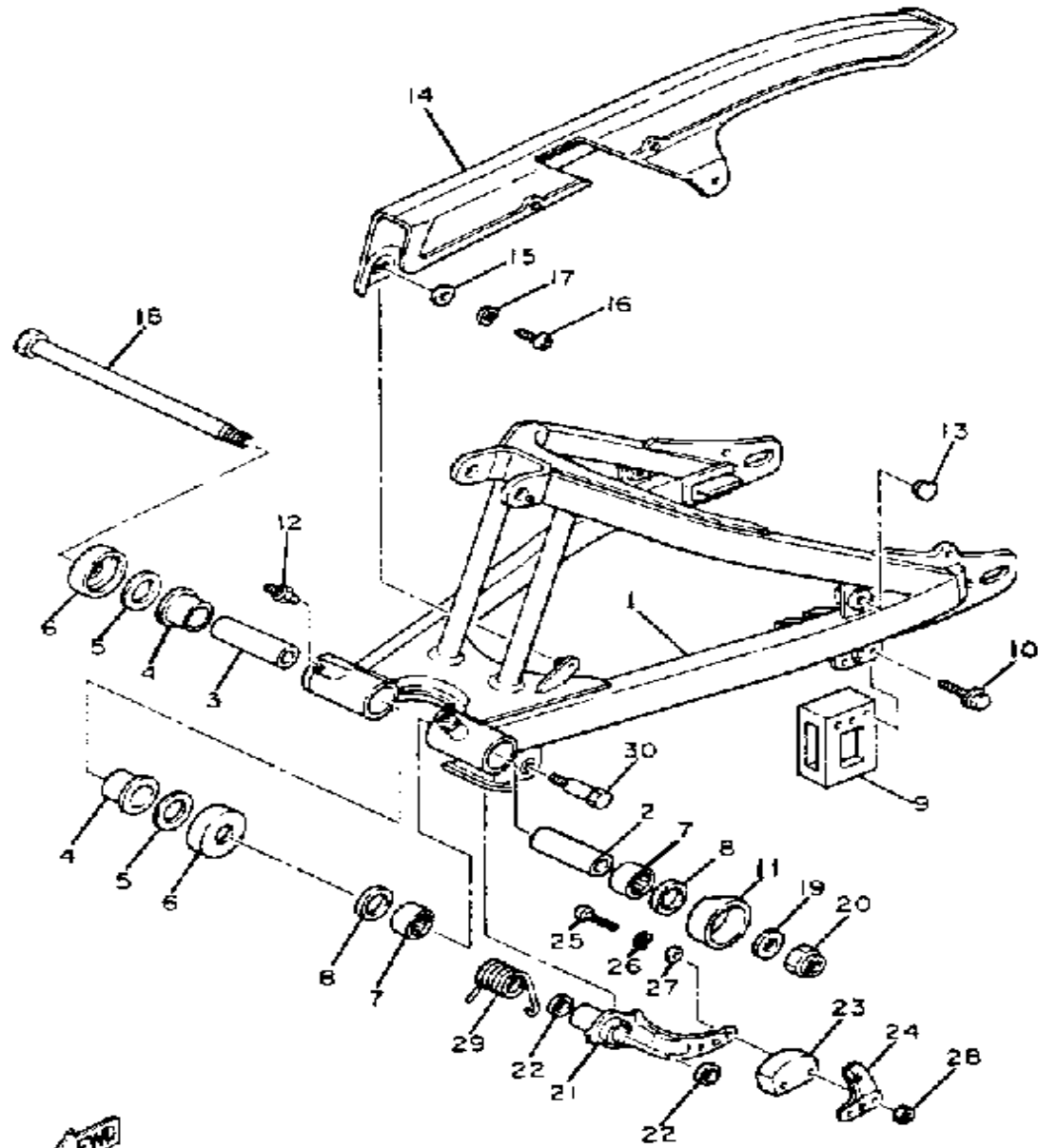
REAR ARM



Ref. No.	Part Number	Description	Qty	Remarks
1	5Y1-22110-01-35	REAR ARM	1	SILVER
2	5Y1-22123-00-00	BUSH 1	1	
3	5Y1-22124-00-00	BUSH 2	1	
4	90386-24107-00	BUSH, SPEC'L NYLON	2	
5	90201-251F6-00	WASHER, PLATE	2	U.N.
6	4X7-22129-00-00	COVER, THRUST 2	2	
7	93317-42424-00	BEARING, CYLINDER.# 7	2	
8	93109-24030-00	OIL SEAL, SDO-TYPE	2	
9	10V-22153-00-00	GUARD, CHAIN	1	
10	95811-06050-00	BOLT, FLANGE	2	
11	5Y1-22151-09-00	SEAL, GUARD (5Y1-22151-00)	1	
12	93700-06M03-00	NIPPLE, GREASE	2	
13	90338-11111-00	PLUG, SPEC'L SHAPE	2	
14	5Y1-22311-01-00	CASE, CHAIN	1	
15	90201-062A8-00	WASHER, PLATE	2	
16	98506-06016-00	SCREW, PANHEAD	2	
17	92906-06100-00	WASHER, SPRING	2	
18	5Y1-22141-00-00	SHAFT, PIVOT	1	
19	92990-16200-00	WASHER, PLAIN	1	
20	90185-16103-00	NUT, SELF-LOCKING	1	
21	5Y1-2217J-00-00	TENSIONER 1	1	
22	93104-14044-00	OIL SEAL	2	
23	ACC-11130-00-25	TENSIONER (2N0-22178-00-00)	1	
24	1W1-22187-00-00	GUIDE, CHAIN	1	
25	98501-05040-00	SCREW, PAN HEAD (98502-05040)	2	
26	92990-05100-00	WASHER, SPRING	2	
27	92901-05600-00	WASHER, PLATE	2	
28	95380-05600-00	NUT	2	

CONTINUED ON NEXT FRAME ►

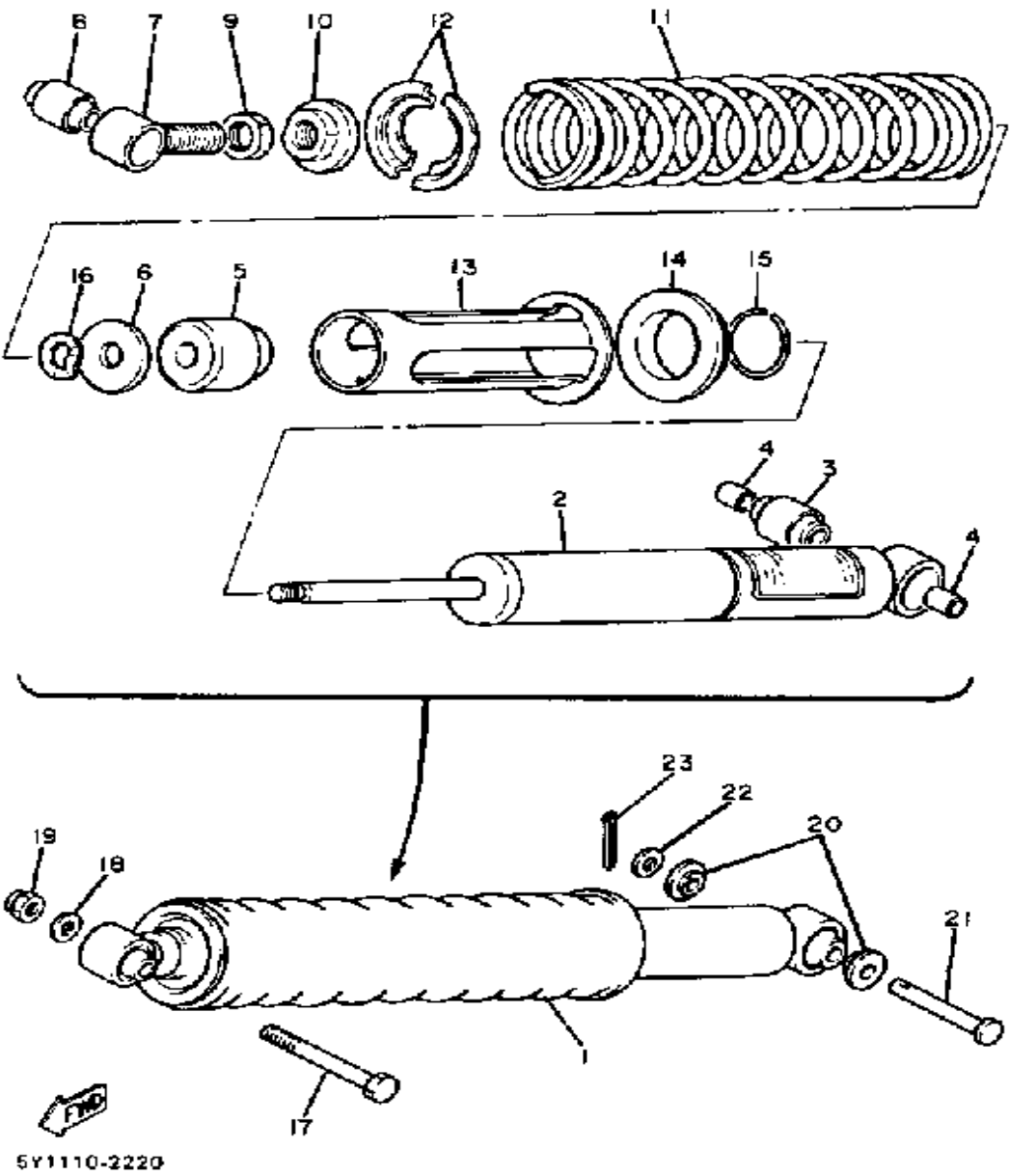
REAR ARM



Ref. No.	Part Number	Description	Qty	Remarks
29	90508-35350-00	SPRING, TORSION	1	
30	90109-10483-00	BOLT (90109-10533-00)	1	

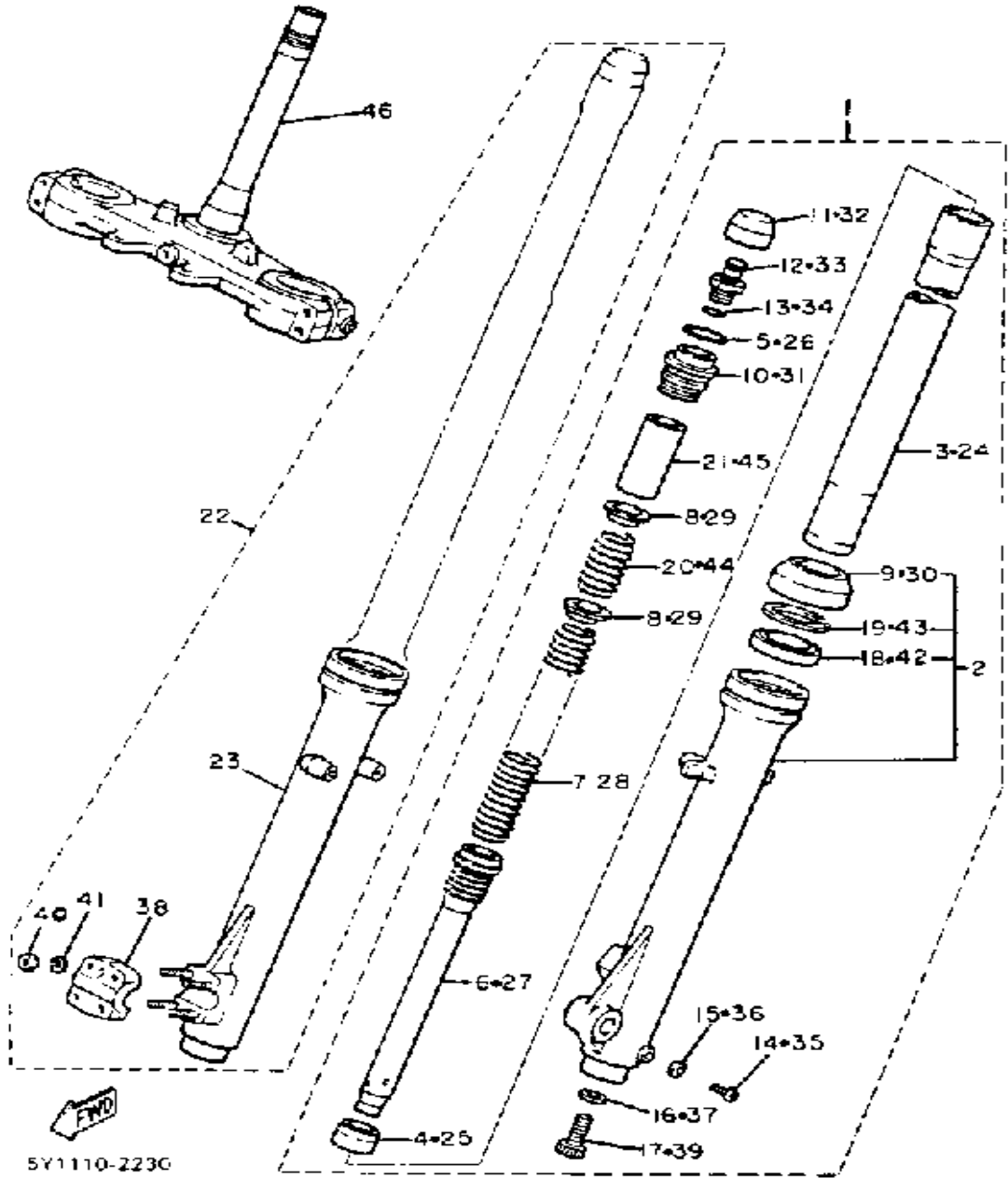

5Y1110-2210

REAR SUSPENSION



Ref. No.	Part Number	Description	Qty	Remarks
1	5Y1-22210-00-00	SHK/ABS ASSEMBLY, REAR	1	
2	5Y1-22401-00-00	. DAMPER SUB-ASSEMBLY.	1	
3	3R4-22226-00-00	. BUSH, SHOCK ABS LWR	1	
4	90380-12051-00	. BUSH, SOLID	2	
5	(1W1-22493-00-00)	BUMP, STOP	1	
6	3R4-22228-00-00	. SUPPORT, BUMP STOP	1	
7	5Y1-22409-00-00	. UPPER BRKT SUB ASSEMBLY	1	
8	1YW-22216-00-00	. BUSH, RR SHOCK ABS	1	
9	90170-20211-00	. NUT	1	
10	3R4-22213-00-00	. SEAT, SPRING UPPER	1	
11	5Y1-22212-00-00	. SPRING	1	
12	3R4-22214-01-00	. GUIDE, SPRING 1 (3R4-22214-00)	2	
13	(3Y1-22224-00-00)	GUIDE, SPRING 2	1	
14	(3Y1-22223-00-00)	SEAT, SPRING LOWER	1	
15	93440-48079-00	. CIRCLIP, OUTER	1	
16	90206-14067-00	. WASHER, WAVE	1	
17	90109-10554-00	BOLT	1	
18	90201-102G9-00	WASHER, PLATE	1	
19	95601-10100-00	NUT, U (95602-10100-00)	1	
20	1W1-22128-00-00	COVER, THRUST 1	2	
21	90240-12075-00	PIN, CLEVIS	1	
22	92990-12600-00	WASHER, PLATE	1	
23	91401-30030-00	PIN, COTTER	1	

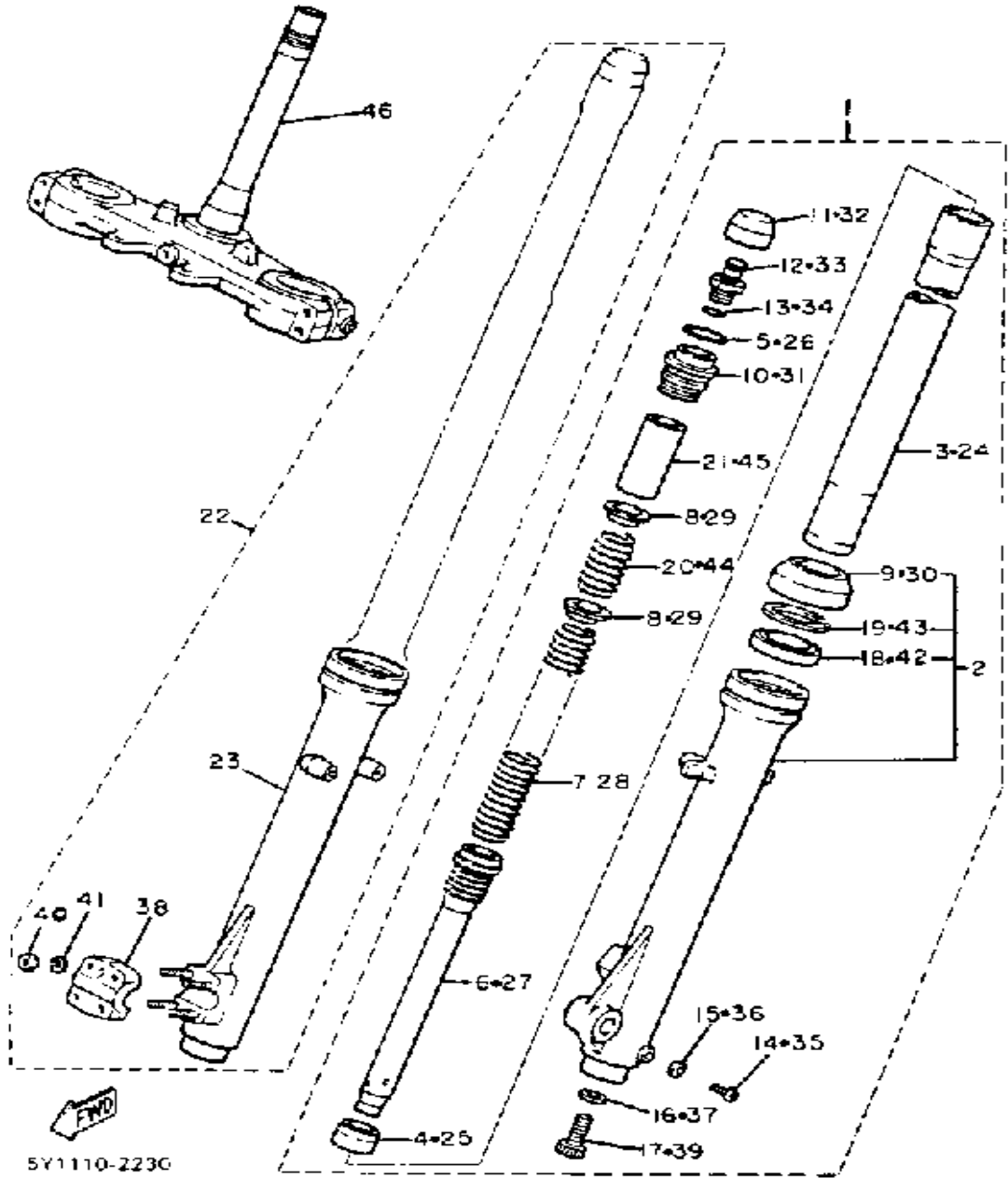
FRONT FORK



Ref. No.	Part Number	Description	Qty	Remarks
1	(5Y1-23102-00-00)	FRONT FORK ASSEMBLY L	1	
2	5Y1-23126-00-38	. TUBE, OUTER 1	1	CLEAR BUFFING
3	5Y1-23124-00-00	. TUBE, INNER 1	1	
4	(3R4-23173-L0-00)	SPINDLE, TAPER	1	
5	1W4-23114-L0-00	. GASKET	1	
6	(5Y1-23170-00-00)	CYLINDER, FRTFRK	1	
7	5Y1-23141-00-00	. SPRING, FRONT FORK	1	
8	1W4-23142-L0-00	. SEAT, SPRING UPPER	2	
9	5Y1-23144-00-00	.. SEAL, DUST	1	
10	1W4-23111-L1-00	. BOLT, CAP	1	
11	1W1-23185-L0-00	. COVER, VALVE	1	
12	509-23190-L0-00	. AIR VALVE	1	
13	509-23163-L0-00	. O-RING	1	
14	4H7-23119-00-00	. PLUG, DRAIN - (122-23119-01)	1	
15	122-23129-00-00	. GASKET, DRAIN PLUG	1	
16	2K8-23158-L0-00	. GASKET	1	
17	3R4-23181-L0-00	. BOLT, HEX SCKT HEADSOCKET HEAD	1	
18	3EN-23145-00-00	.. OIL SEAL	1	
19	3R4-23153-00-00	.. RING, SNAP	1	
20	5Y1-23151-00-00	. SPRING, REBOUND	1	
21	5Y1-23118-00-00	. SPACER	1	
22	(5Y1-23103-00-00)	FRONT FORK ASSEMBLY R	1	
23	(5Y1-23136-00-38)	TUBE, OUTER 2	1	CLEAR BUFFING
24	5Y1-23124-00-00	. TUBE, INNER 1	1	
25	(3R4-23173-L0-00)	SPINDLE, TAPER	1	
26	1W4-23114-L0-00	. GASKET	1	
27	(5Y1-23170-00-00)	CYLINDER, FRTFRK	1	
28	5Y1-23141-00-00	. SPRING, FRONT FORK	1	

CONTINUED ON NEXT FRAME ➤

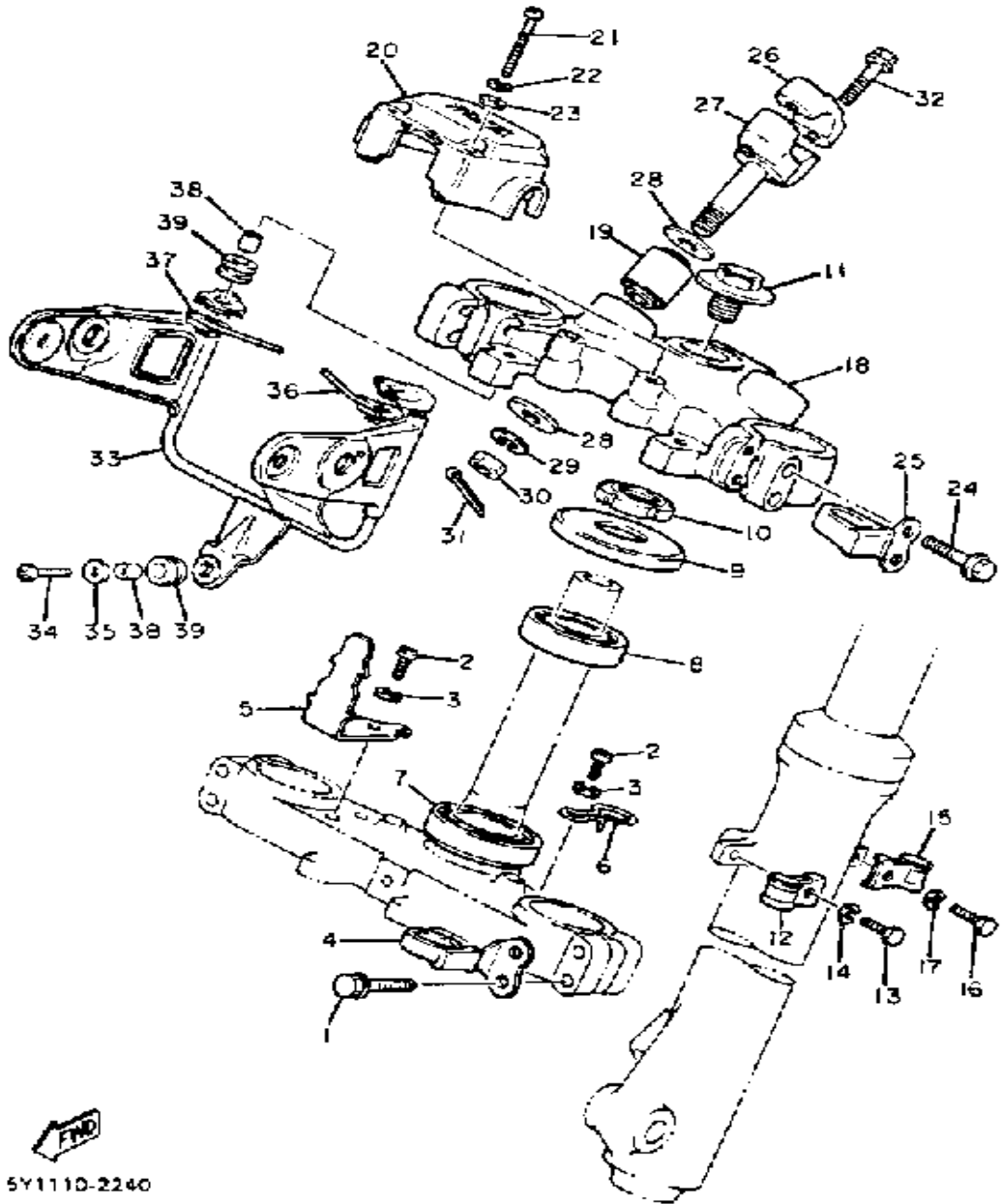
FRONT FORK



Ref. No.	Part Number	Description	Qty	Remarks
29	1W4-23142-L0-00	. SEAT, SPRING UPPER	2	
30	5Y1-23144-00-00	.. SEAL, DUST	1	
31	1W4-23111-L1-00	. BOLT, CAP	1	
32	1W1-23185-L0-00	. COVER, VALVE	1	
33	509-23190-L0-00	. AIR VALVE	1	
34	509-23163-L0-00	. O-RING	1	
35	4H7-23119-00-00	. PLUG, DRAIN - (122-23119-01)	1	
36	122-23129-00-00	. GASKET, DRAIN PLUG	1	
37	2K8-23158-L0-00	. GASKET	1	
38	4V2-23167-L0-00	. HOLDER, AXLE	1	
39	3R4-23181-L0-00	. BOLT, HEX SCKT HEADSOCKET HEAD	1	
40	95311-06600-00	. NUT	4	
41	92995-06100-00	. WASHER, SPRING	4	
42	3EN-23145-00-00	.. OIL SEAL	1	
43	3R4-23153-00-00	.. RING, SNAP	1	
44	5Y1-23151-00-00	. SPRING, REBOUND	1	
45	5Y1-23118-00-00	. SPACER	1	
46	(5Y1-23340-00-98)	UNDER BRACKET	1	LOW GLOSS BLACK

STEERING

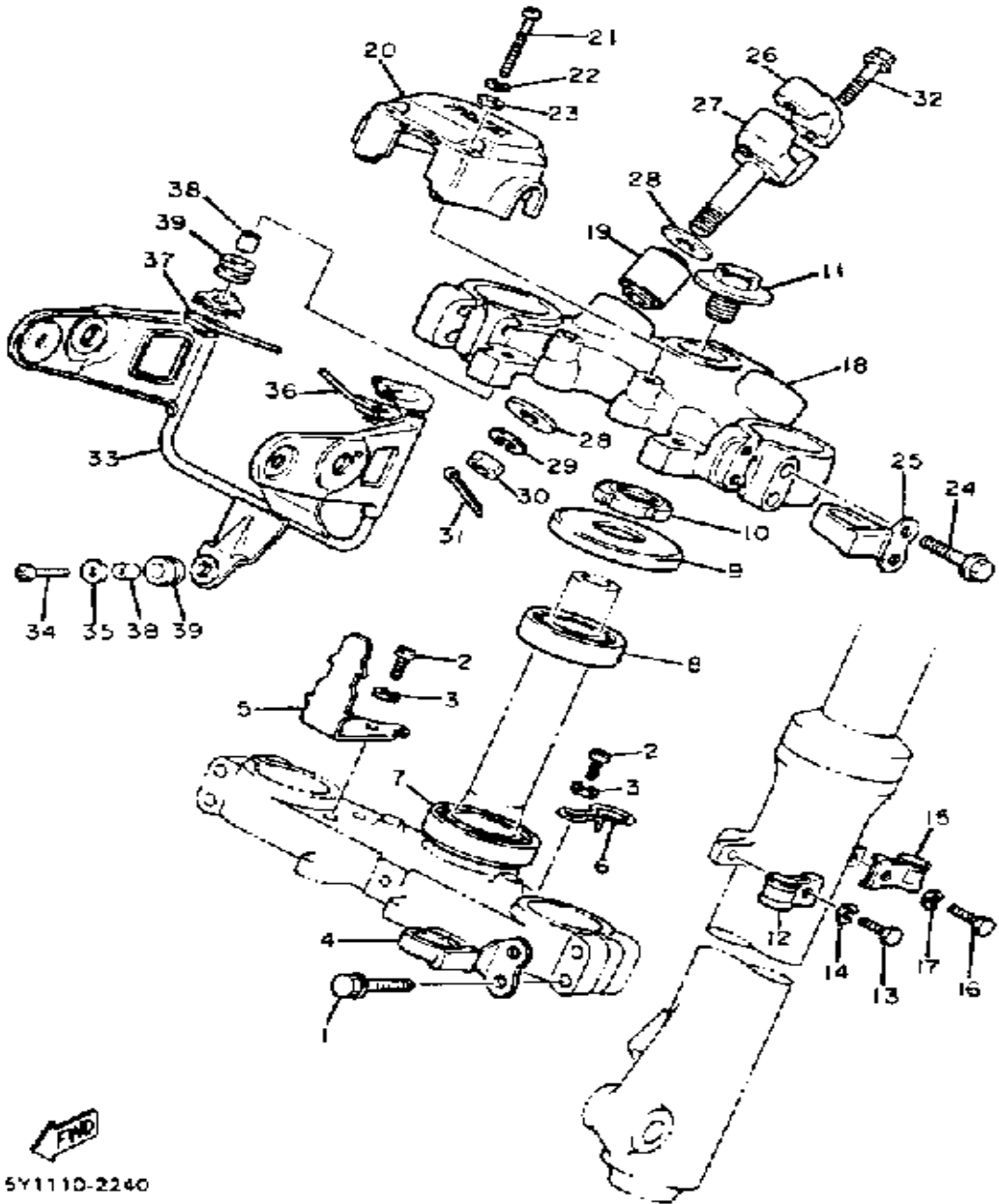
Ref. No.	Part Number	Description	Qty	Remarks
1	5Y1-23181-00-00	BOLT, HEX SCKT HEAD	4	
2	98580-06012-00	SCREW, PAN HEAD	2	
3	92995-06100-00	WASHER, SPRING	2	
4	5Y1-23389-00-00	GUIDE, CABLE	1	
5	(5Y1-23348-00-00)	HOLDER STOPPER 1	1	
6	3Y1-2331E-00-00	GUIDE, CABLE	1	
7	93332-00008-00	BEARING	1	
8	93332-00001-00	BEARING	1	
9	3HE-23416-00-00	COVER, BALL RACE 2	1	
10	90179-25033-00	NUT	1	
11	90105-14102-00	BOLT, WASHER BASED	1	
12	3Y1-23319-00-00	HOLDER, CABLE 2	1	
13	97026-06012-00	BOLT	1	
14	92906-06100-00	WASHER, SPRING	1	
15	3Y1-23319-00-00	HOLDER, CABLE 2	1	
16	97026-06012-00	BOLT	1	
17	92906-06100-00	WASHER, SPRING	1	
18	5Y1-23435-00-98	CROWN, HANDLE	1	LOW GLOSS BLACK
19	3Y6-23434-00-00	HOLDER, DAMPER	2	
20	5Y1-26213-00-98	COVER, UPPER	1	LOW GLOSS BLACK
21	98506-05045-00	SCREW, PAN HEAD	2	
22	92906-05100-00	WASHER, SPRING	2	
23	92906-05600-00	WASHER, PLATE	2	
24	95816-08040-00	BOLT, FLANGE	4	
25	5Y1-23317-00-00	HOLDER, CABLE	1	
26	1E6-23441-00-00	HOLDER, HANDLE UPR	2	LOW GLOSS BLACK
27	3Y6-23442-00-98	HOLDER, HANDLE LOWER	2	
28	90201-100A1-00	WASHER, PLATE	4	
29	92990-10100-00	WASHER, SPRING	2	



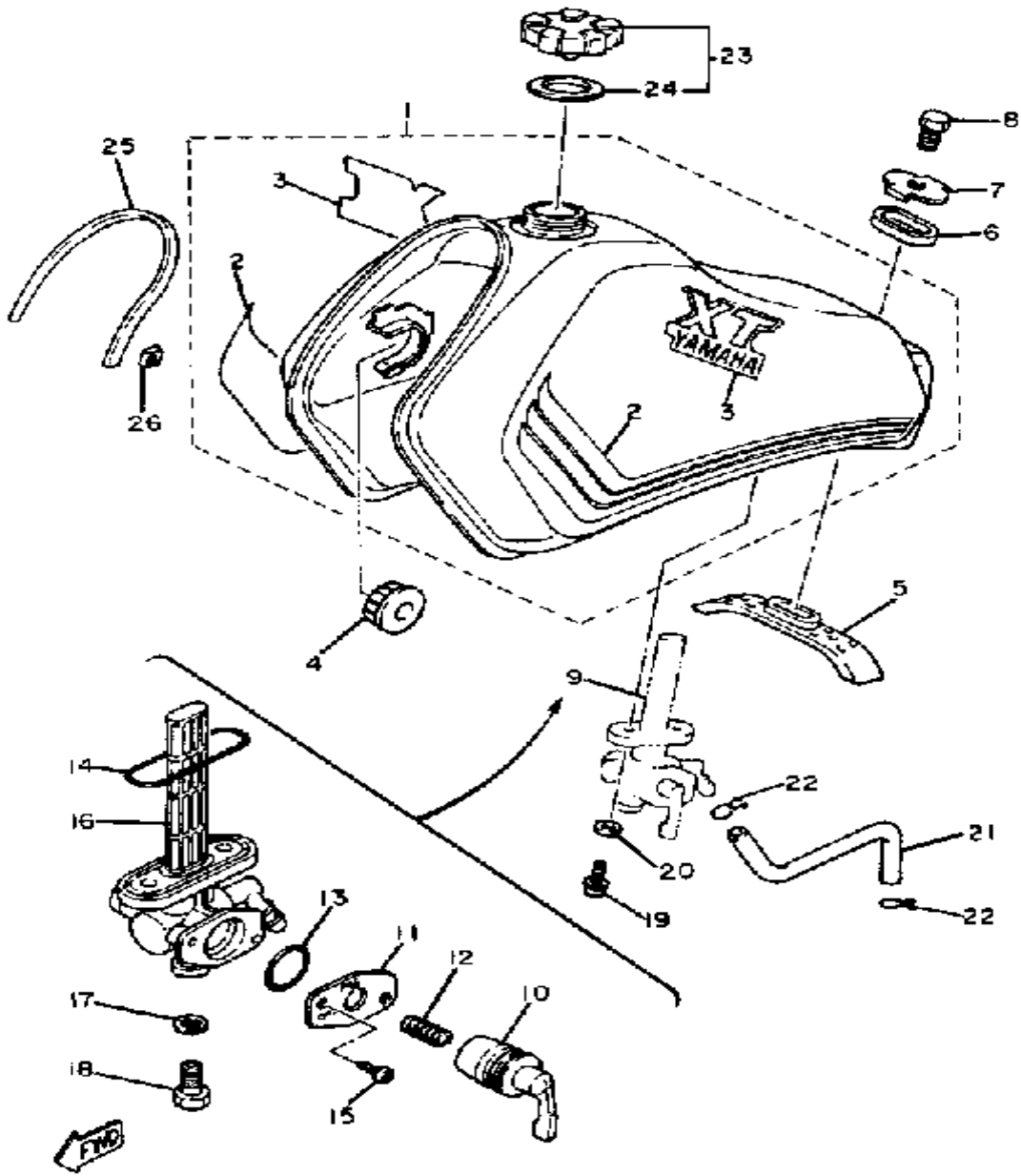
CONTINUED ON NEXT FRAME ➤

STEERING

Ref. No.	Part Number	Description	Qty	Remarks
30	95303-10700-00	NUT	2	
31	90468-12006-00	CLIP	2	
32	95816-08035-00	BOLT, FLANGE	4	
33	5Y3-23174-01-00	STAY, HEADLIGHT	1	
34	90153-06008-00	SCREW, HEXAGON	1	
35	90201-06067-00	WASHER, PLATE	1	
36	5Y1-23466-01-00	CLAMP	1	
37	5Y1-23467-01-00	CLAMP	1	
38	90387-06388-00	COLLAR	3	
39	90480-14023-00	GROMMET	3	



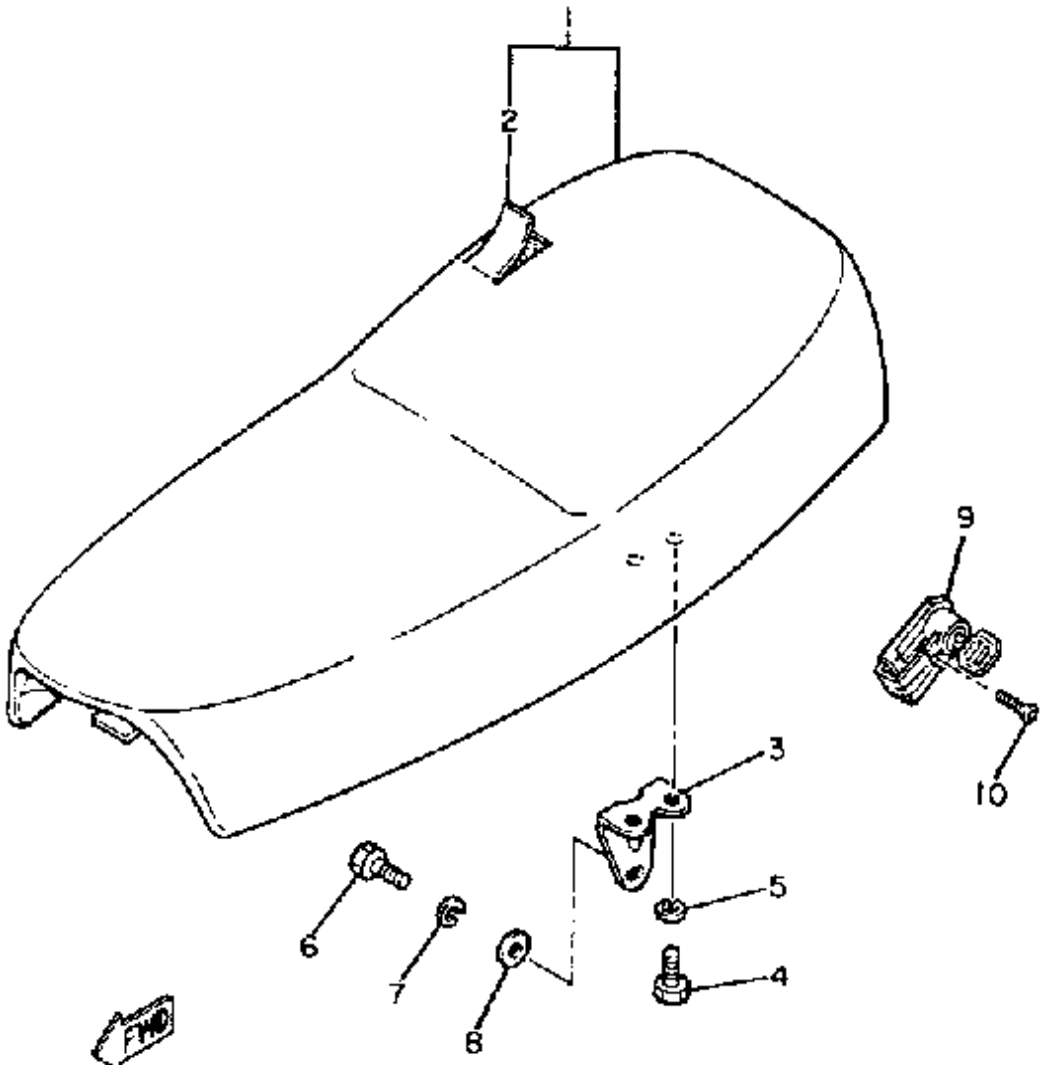
FUEL TANK



5Y1110-2250

Ref. No.	Part Number	Description	Qty	Remarks
1	5Y1-24110-00-01	FUEL TANK	1	CHAPPY RED
2	5Y1-24240-00-00	. GRAPHIC SET	1	
3	3Y1-24161-20-00	. EMBLEM 1	2	
4	4H7-24181-00-00	DAMPER, LOCATING 1	2	
5	15A-24182-00-00	DAMPER, LOCATING 2	1	
6	5Y1-24183-00-00	DAMPER, LOCATING 3	1	
7	5Y1-24186-00-00	WASHER, SPECIAL	1	
8	97011-08016-00	BOLT	1	
9	3FY-24500-00-00	FUEL COCK ASSEMBLY 1	1	
10	(3Y1-24524-00-00)	LEVER, COCK	1	
11	(3Y1-24525-00-00)	PLATE, LVR FITTING	1	
12	2W6-24529-00-00	. SPRING	1	
13	2N3-24528-00-00	. GASKET	1	
14	2W6-24512-00-00	. O-RING	2	
15	98580-03008-00	. SCREW, PAN HEAD	1	
16	(5Y1-24514-00-00)	NET, FILTER 1	1	
17	2G2-24522-00-00	. GASKET	1	
18	2G2-24543-00-00	. PLUG, DRAIN	1	
19	90149-06011-00	SCREW	2	
20	90202-05187-00	WASHER, PLATE	1	
21	90445-10638-00	HOSE	1	
22	90467-09006-00	CLIP	2	
23	3Y1-24610-01-00	CAP ASSEMBLY	1	
24	5Y1-24612-00-00	. GASKET, CAP	1	
25	5Y1-24189-00-00	PLATE, MOLD	1	
26	90468-03063-00	CLIP	3	

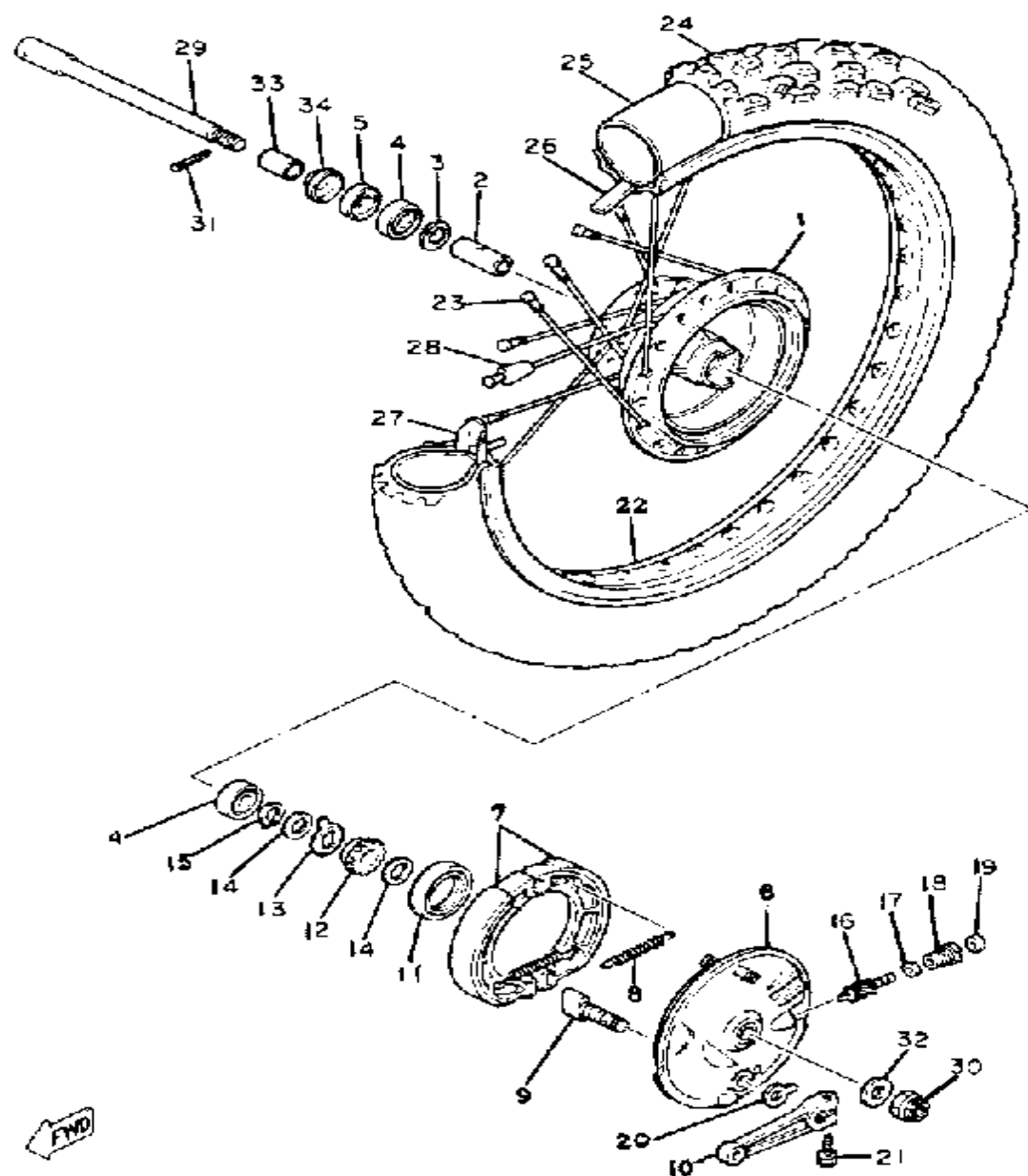
SEAT



5Y1110-2260

Ref. No.	Part Number	Description	Qty	Remarks
1	5Y3-24770-00-00	SEMI-DBL-SEAT ASSEMBLY ..	1	
2	5Y1-24731-00-00	. COVER, DOUBLE SEAT	1	
3	43F-24738-00-00	BRACKET, SEAT	2	
4	97313-06016-00	BOLT, HEXAGON	4	
5	92995-06100-00	WASHER, SPRING	4	
6	97313-06016-00	BOLT, HEXAGON	2	
7	92995-06100-00	WASHER, SPRING	2	
8	92901-06600-00	WASHER	2	
9	55E-21308-00-00	HELMET HANGER ASSEMBLY	1	
10	98701-06014-00	SCREW, FLAT HEAD	1	

FRONT WHEEL

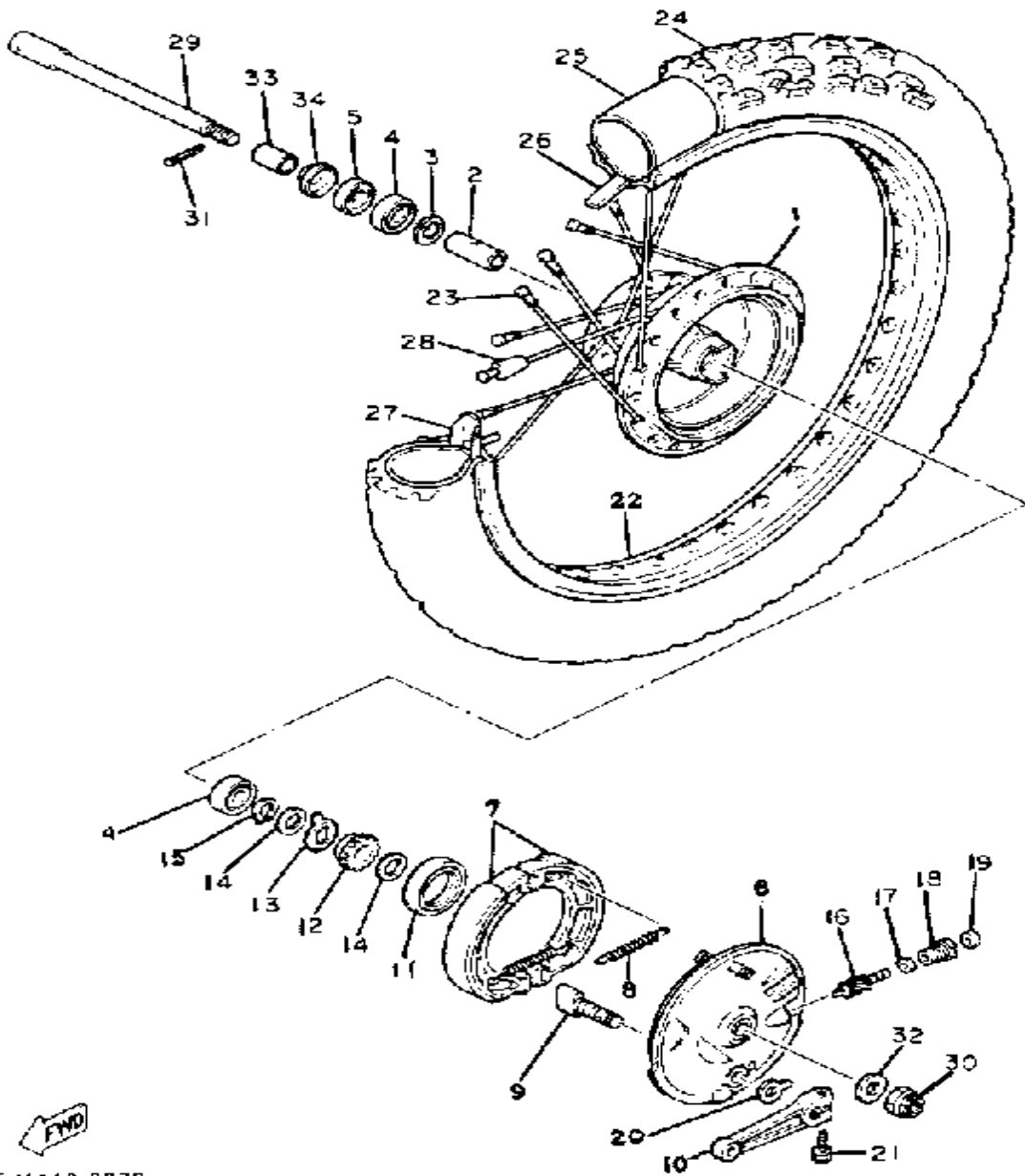


5Y1110-2270

Ref. No.	Part Number	Description	Qty	Remarks
1	(5Y1-25111-00-98)	HUB, FRONT	1	LOW GLOSS BLACK
2	90560-15293-00	SPACER	1	
3	146-25116-00-00	FLANGE, SPACER 2	1	
4	93306-20209-00	BEARING (B6202)	2	
5	93102-20009-00	OIL SEAL	1	
6	5Y1-25121-00-98	PLATE, BRAKE SHOE	1	LOW GLOSS BLACK
7	5Y1-W2536-00-00	BRAKESHOE SET-2PCS	2	
8	90507-20002-00	SPRING, TENSION	2	
9	5Y1-25151-00-00	CAMSHAFT	1	
10	5Y1-25155-00-00	LEVER, CAMSHAFT 1	1	
11	93105-47007-00	OIL SEAL	1	
12	308-25135-00-00	GEAR, DRIVE	1	
13	214-25149-01-00	CLUTCH, METER	1	
14	90201-22283-00	WASHER, PLATE	2	
15	93410-22014-00	CIRCLIP, S-TYPE	1	
16	308-25138-00-00	GEAR, METER	1	
17	90201-07076-00	WASHER, PLATE	1	
18	109-25136-00-00	BUSH	1	
19	93104-07003-00	OIL SEAL	1	
20	5Y1-2513A-00-00	PLATE, INDICATOR	1	
21	90101-06291-00	BOLT	1	
22	94416-21324-00	RIM 1.60X21 (1.60-21)	1	
23	5Y1-25104-00-00	SPOKE SET, FRONT	1	
24	94130-211N0-00	300-21 TW25 (TT)	1	BRIDGESTONE
25	94227-21123-00	TUBE (2.75-21)	1	BRIDGESTONE
26	94330-21084-00	BAND, RIM (3.00-21)	1	BRIDGESTONE
27	4V5-25194-00-00	SPACER, BEAD	1	
28	156-25398-00-00	BALANCER, WHEEL	1	U.N.
29	4H7-25181-01-00	AXLE, WHEEL	1	

CONTINUED ON NEXT FRAME ➤

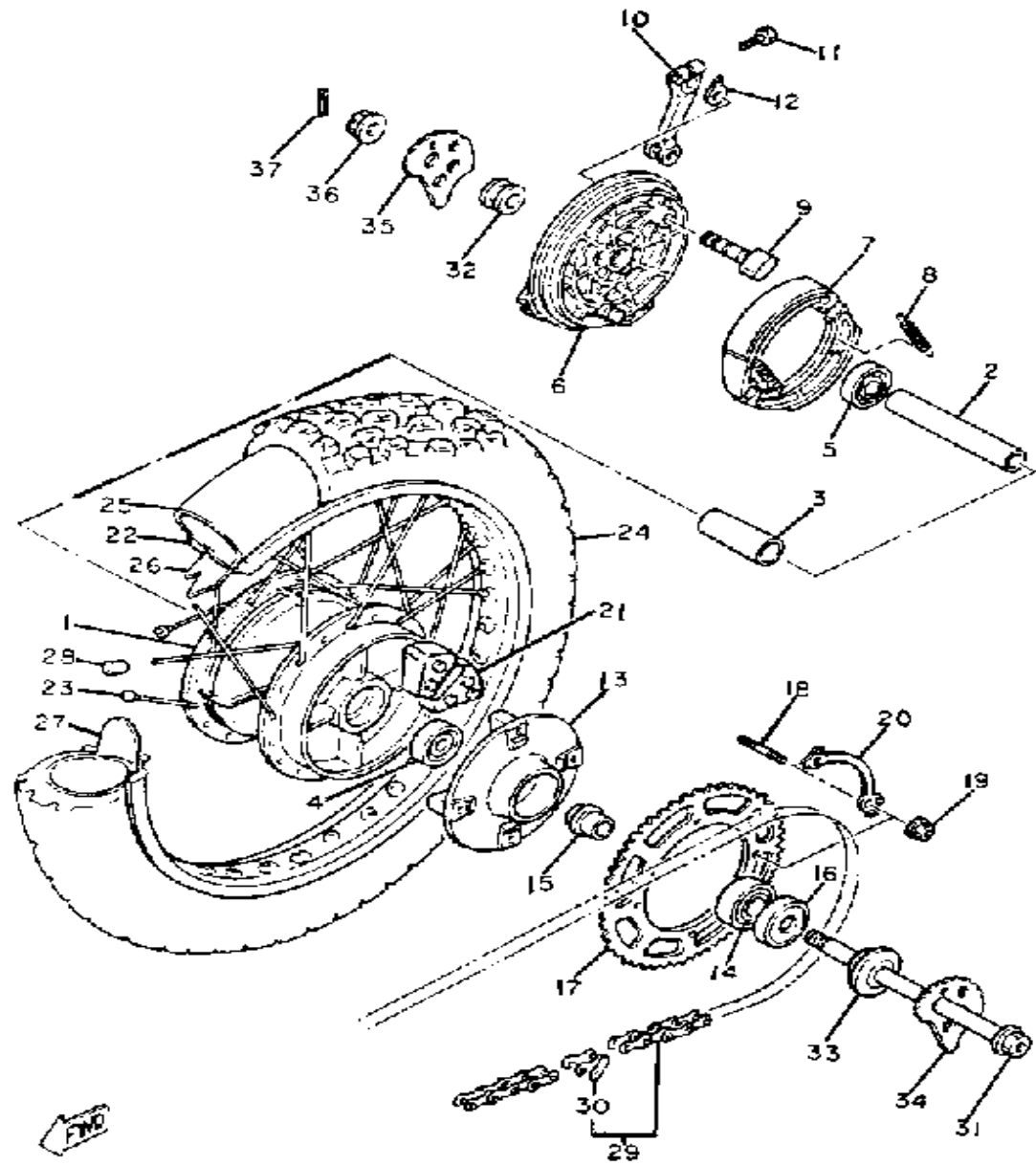
FRONT WHEEL



Ref. No.	Part Number	Description	Qty	Remarks
30	90171-14020-00	NUT, CASTLE	1	
31	91401-30030-00	PIN, COTTER	1	
32	90201-15785-00	WASHER, PLATE	1	
33	90387-15720-00	COLLAR	1	
34	322-25118-00-00	COVER, HUB DUST	1	


 5Y1110-2270

REAR WHEEL

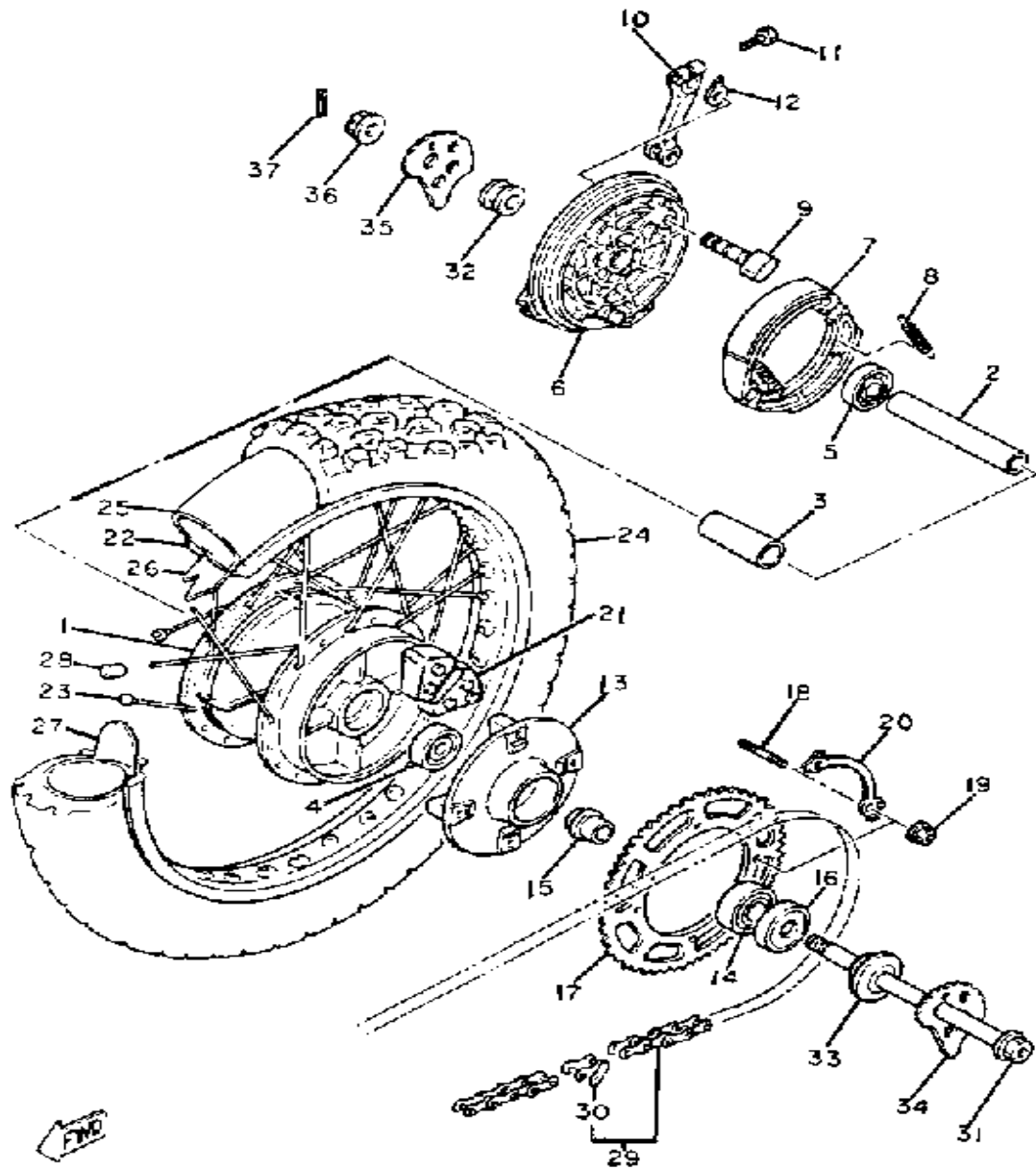


5Y1110-2280

Ref. No.	Part Number	Description	Qty	Remarks
1	5Y1-25311-00-98	HUB, REAR	1	LOW GLOSS BLACK
2	90560-17306-00	SPACER (5X4-25317-00)	1	
3	146-25315-00-00	FLANGE, SPACER	1	
4	93306-20310-00	BEARING	1	
5	93306-20310-00	BEARING	1	
6	5Y1-25321-00-98	PLATE, BRAKE SHOE	1	LOW GLOSS BLACK
7	5Y1-W2536-00-00	BRAKESHOE SET-2PCS	2	
8	90507-20002-00	SPRING, TENSION	2	
9	5Y1-25151-00-00	CAMSHAFT	1	
10	434-25355-01-00	LEVER, CAMSHAFT	1	
11	90101-06291-00	BOLT	1	
12	3Y6-2533A-01-00	PLATE, INDICATOR	1	
13	5Y1-25366-00-98	CLUTCH, HUB	1	LOW GLOSS BLACK
14	93306-30416-00	BEARING (B6304RS)	1	
15	5Y1-25377-00-00	COLLAR, WHEEL	1	
16	93102-30072-00	OIL SEAL, SD-TYPE	1	
17	5Y1-25442-20-00	SPROCKET, DRIVN 42T	1	YAMAHA BLACK
18	90116-10348-00	BOLT, STUD	4	
19	95701-10500-00	NUT, FLANGE (95702-10500)	4	
20	5Y1-25412-00-00	WASHER	2	
21	5Y1-25364-00-00	DAMPER	4	
22	94421-18423-00	RIM 2.15X18 (2.15-18)	1	
23	5Y1-25304-00-00	SPOKE SET, REAR	1	
24	94146-181N2-00	460-18 TW26 (TT)	1	BRIDGESTONE
25	94240-18098-00	TUBE (4.00-18)	1	BRIDGESTONE
26	94340-18086-00	BAND, RIM (4.00-18)	1	BRIDGESTONE
27	3Y1-25394-00-00	SPACER, BEAD	1	
28	156-25398-00-00	BALANCER, WHEEL	1	U.N.
29	9Y58E-20097-00	DID520DS-98L (DID520DS 98L)	1	

CONTINUED ON NEXT FRAME ➤

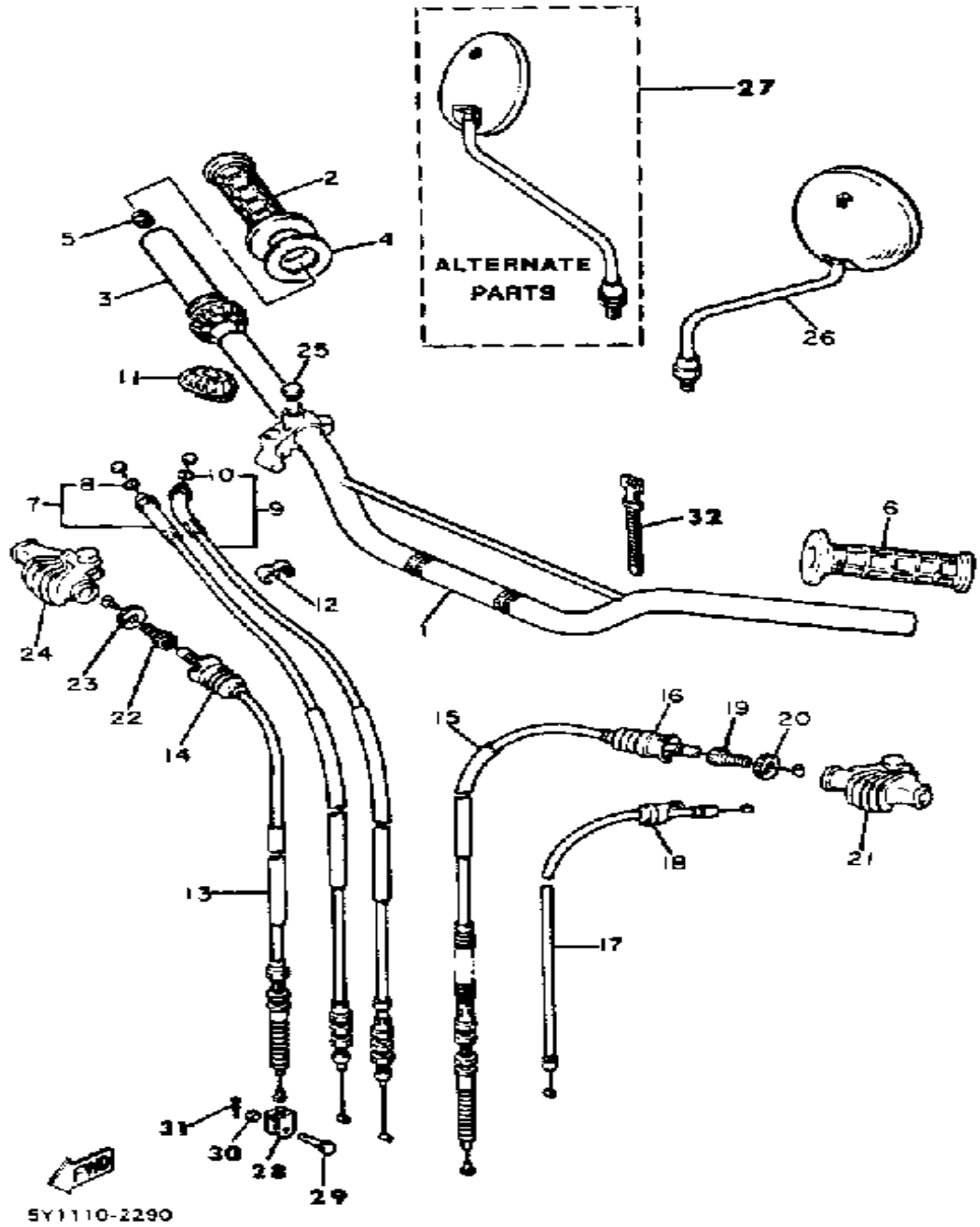
REAR WHEEL



Ref. No.	Part Number	Description	Qty	Remarks
30	94685-20011-00	. JOINT CHAIN	1	
31	5Y1-25381-00-00	AXLE, WHEEL	1	
32	90387-17141-00	COLLAR	1	
33	5Y1-25383-00-00	COLLAR, WHEEL	1	
34	3Y1-25388-01-00	PULLER, CHAIN 1	1	
35	3Y1-25389-00-00	PULLER, CHAIN 2	1	
36	90171-16024-00	NUT, CASTLE	1	
37	91401-30030-00	PIN, COTTER	1	

FWD
5Y1110-2280

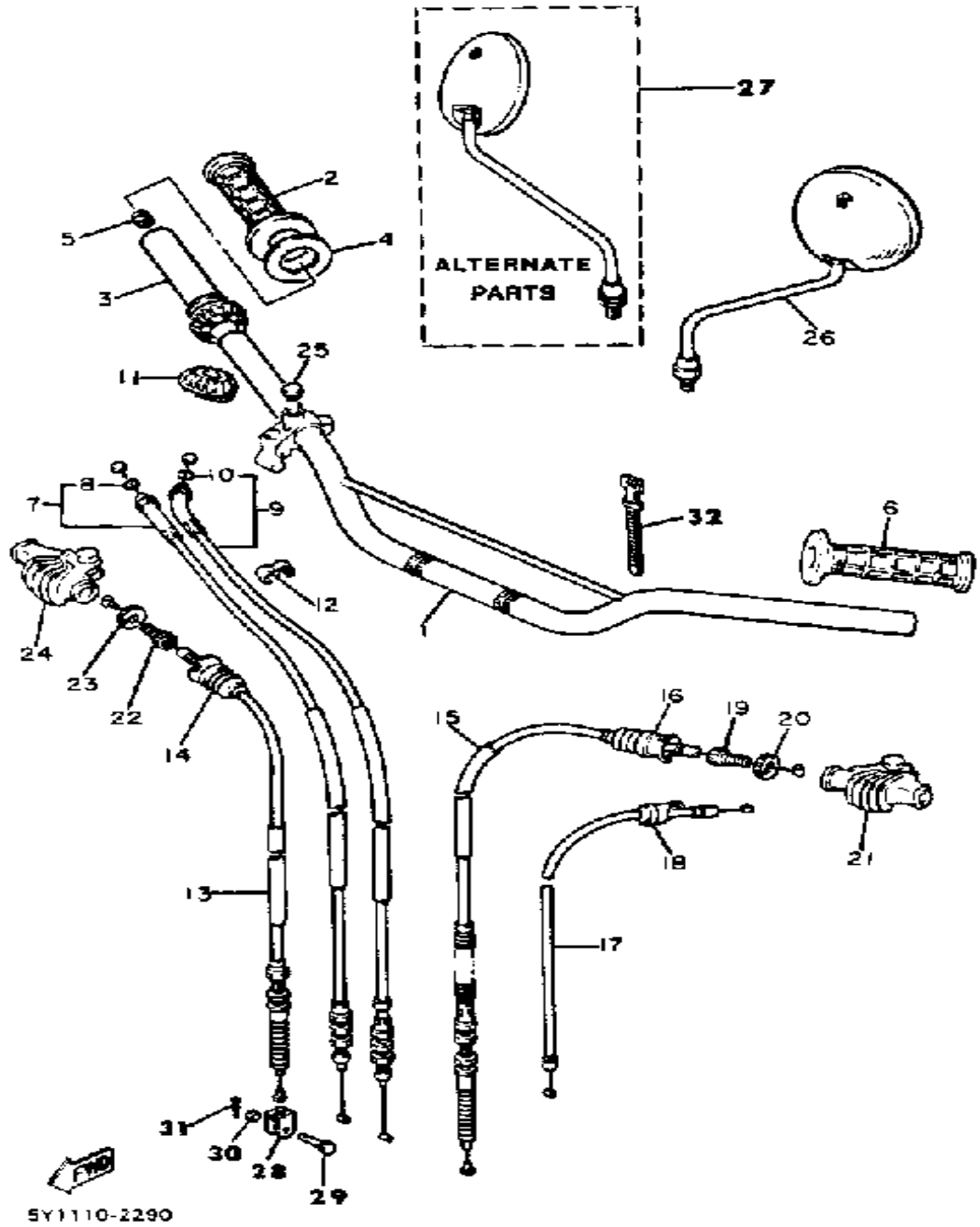
HANDLEBAR - CABLE



Ref. No.	Part Number	Description	Qty	Remarks
1	5Y1-26111-01-00	HANDLEBAR	1	
2	1LX-26242-01-00	GRIP (RIGHT)	1	
3	5Y1-26243-00-00	TUBE, THRTL GUIDE	1	
4	4V4-26249-00-00	RING, LEAF	1	
5	90338-12192-00	PLUG	1	
6	4V4-26241-01-00	GRIP (L.H.) (4V4-26241-00) ...	1	
7	5Y1-26311-01-00	CABLE, THROTTLE 1	1	
8	93210-08408-00	O-RING	1	
9	5Y1-26312-01-00	CABLE, THROTTLE 2	1	
10	93210-08408-00	O-RING	1	
11	5Y1-2628E-00-00	GEAR, BEVEL	1	
12	90468-15009-00	CLIP	1	
13	5Y1-26341-01-00	CABLE, BRAKE	1	
14	1E6-26342-00-00	BOOT, CABLE	1	
15	55U-26335-01-00	CABLE, CLUTCH	1	
16	1E6-26342-00-00	BOOT, CABLE	1	
17	5Y1-26331-00-00	CABLE, STARTER 1	1	
18	5Y1-26339-00-00	BOOT	1	
19	90123-08046-00	BOLT	1	
20	90179-08148-00	NUT	1	
21	1E6-26372-00-00	COVER, HANDLE LEVER 1 ...	1	
22	90123-08046-00	BOLT	1	
23	90179-08148-00	NUT	1	
24	1E6-26372-00-00	COVER, HANDLE LEVER 1 ...	1	
25	90338-09012-00	PLUG	1	
26	5Y1-26290-10-00	BACK MIRROR ASSEMBLY (L.H)	1	
27	3Y1-26290-00-00	BACK MIRROR ASSEMBLY (R.H)	1	ALTERNATE PART

CONTINUED ON NEXT FRAME ►

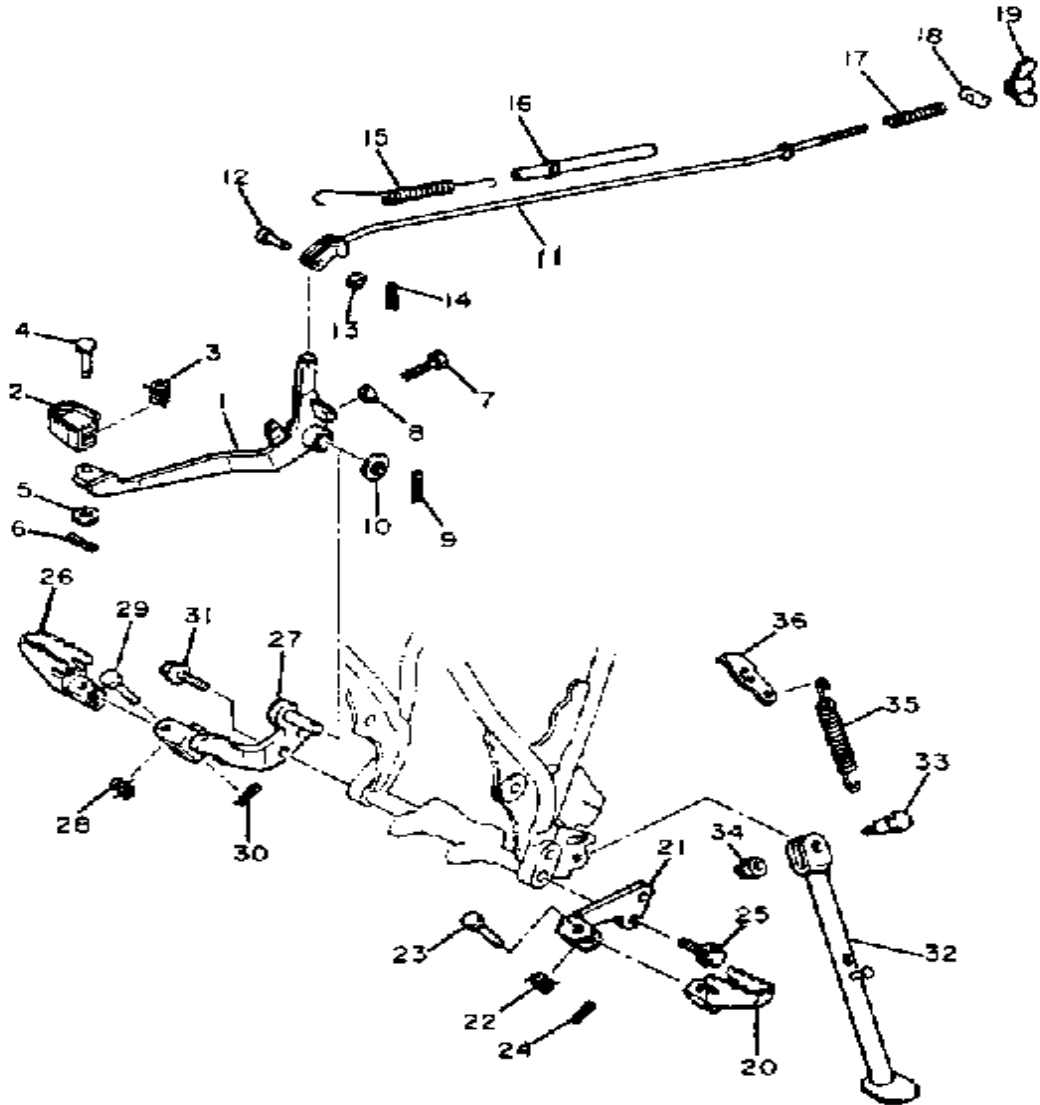
HANDLEBAR - CABLE



Ref. No.	Part Number	Description	Qty	Remarks
28	156-26347-00-00	JOINT, CABLE	1	
29	90240-08013-00	PIN, CLEVIS	1	
30	90201-08083-00	WASHER, PLATE	1	
31	91490-20020-00	PIN, COTTER	1	
32	437-83936-01-00	BAND, SWITCH CORD	4	

5Y1110-2290

STAND - FOOTREST

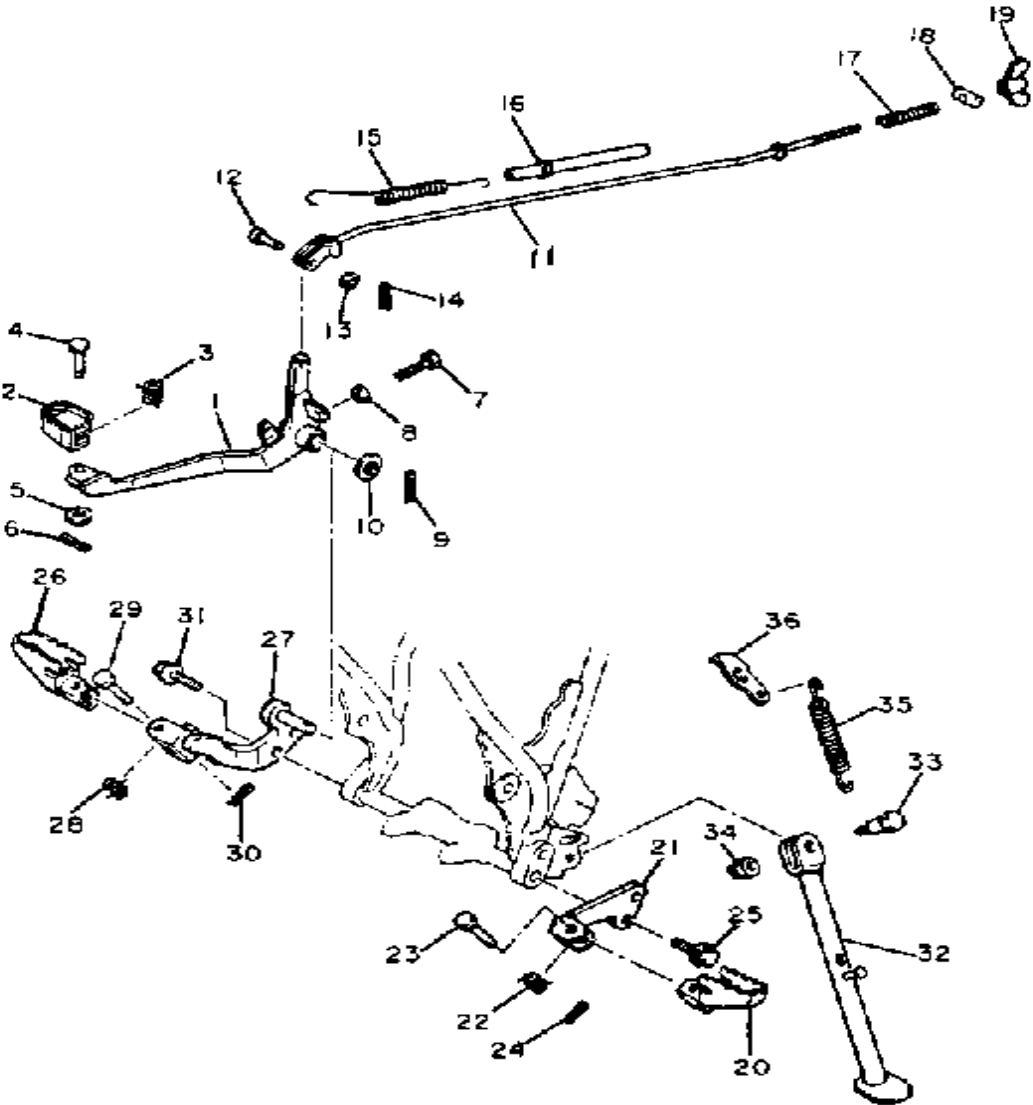


FWD
5Y1110-2300

Ref. No.	Part Number	Description	Qty	Remarks
1	5Y3-27211-01-00	PEDAL, BRAKE	1	
2	55V-27242-00-00	PEDAL, BRAKE	1	
3	90508-14352-00	SPRING, TORSION	1	
4	91701-06022-00	PIN, CLEVIS	1	
5	92901-06600-00	WASHER	1	
6	91490-20020-00	PIN, COTTER	1	
7	90101-06288-00	BOLT	1	
8	95380-06600-00	NUT	1	
9	91401-30020-00	PIN, COTTER	1	
10	90201-14411-00	WASHER, PLATE	1	
11	5Y1-27231-01-00	ROD, BRAKE	1	
12	90240-06103-00	PIN, CLEVIS	1	
13	92990-06200-00	WASHER	1	
14	91490-20020-00	PIN, COTTER	1	
15	90506-18289-00	SPRING, TENSION	1	
16	1M1-27244-00-00	COVER	1	
17	90501-10245-00	SPRING, COMPRESSION	1	
18	90249-12008-00	PIN	1	
19	90179-06411-00	NUT	1	
20	22W-27411-01-90	FOOTREST 1	1	UNI CHROME BLK
21	5Y1-27412-02-R4	BRACKET, FOOTREST 1	1	BLACK
22	90508-20023-00	SPRING, TORSION	1	
23	91701-08038-00	PIN, CLEVIS	1	
24	91401-25020-00	PIN, COTTER	1	
25	95811-10025-00	BOLT, FLANGE	2	
26	22W-27421-01-90	FOOTREST 2	1	UNI CHROME BLK
27	5Y1-27422-02-R4	BRACKET, FOOTREST 2	1	BLACK
28	90508-20023-00	SPRING, TORSION	1	
29	91701-08038-00	PIN, CLEVIS	1	

CONTINUED ON NEXT FRAME ➤

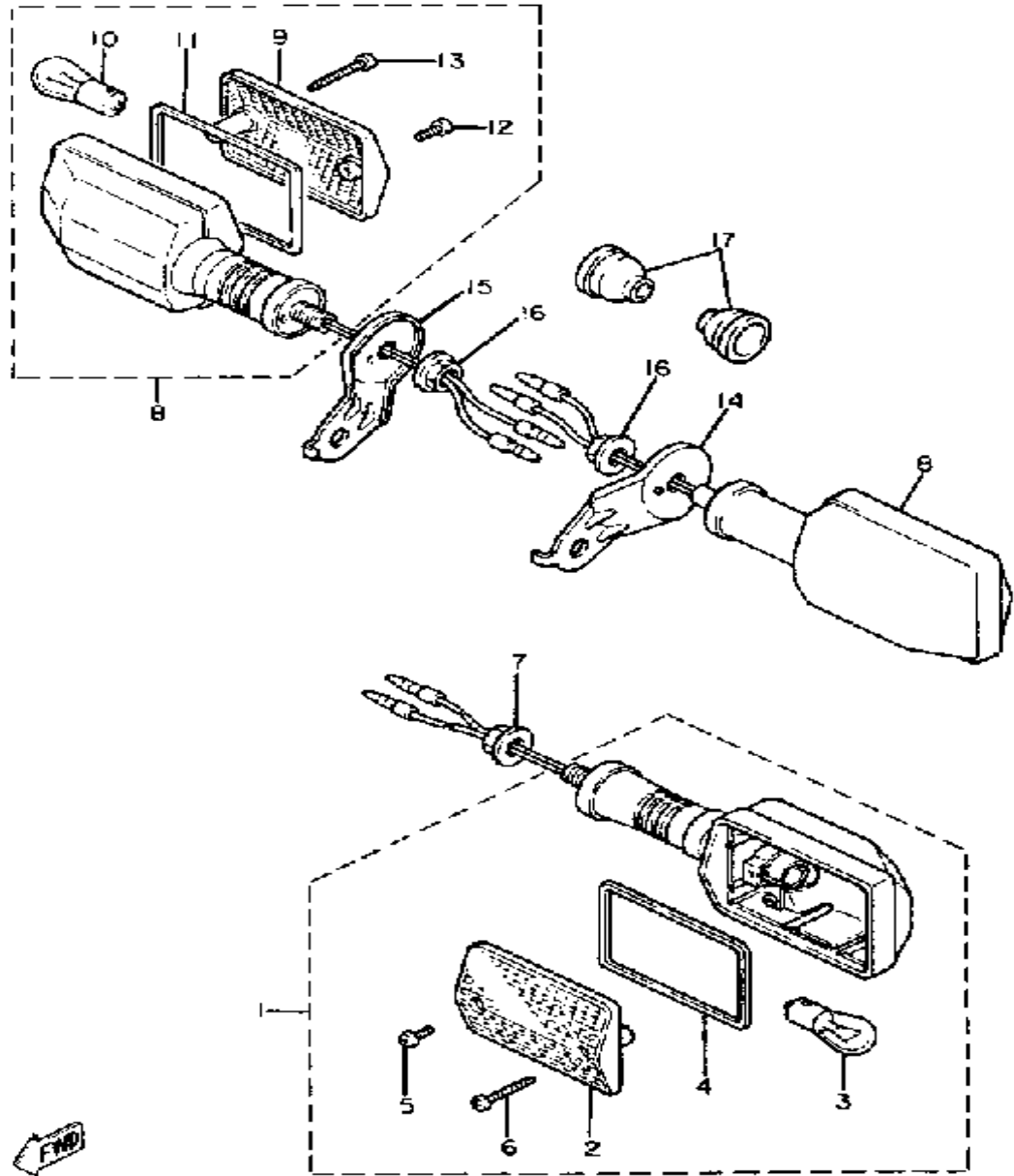
STAND - FOOTREST



Ref. No.	Part Number	Description	Qty	Remarks
30	91401-25020-00	PIN, COTTER	1	
31	95811-10025-00	BOLT, FLANGE	2	
32	5Y1-27311-03-R4	STAND, SIDE	1	5Y1-005632~
	5Y1-27311-03-R4	STAND, SIDE	1	BLACK
33	90109-103A1-00	BOLT	1	
34	90185-10037-00	NUT, SELF-LOCKING	1	
35	90506-29276-00	SPRING, TENSION	1	
36	5Y1-27315-00-00	LINK, SIDE STAND	1	


5Y1110-2300

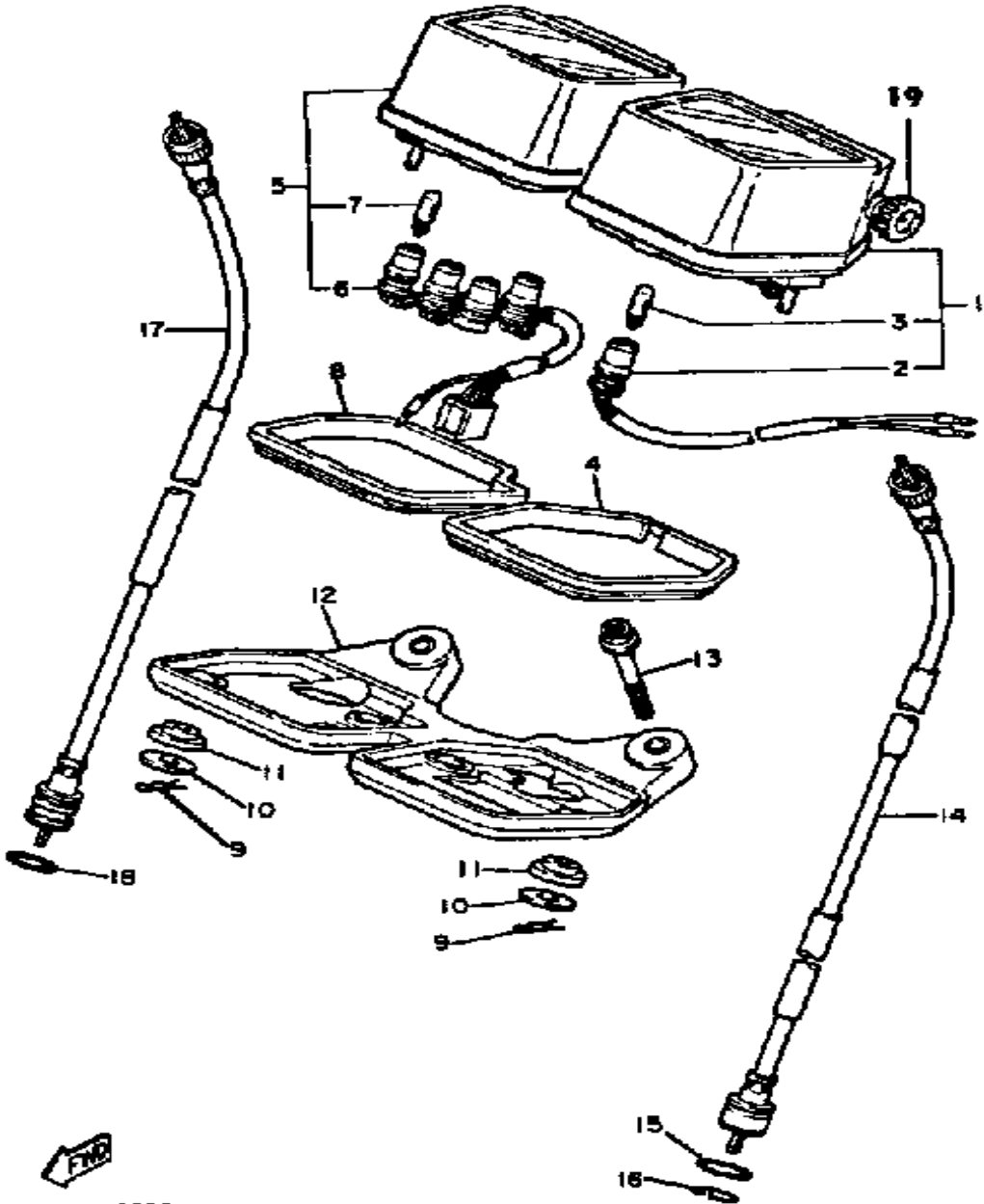
FLASHER LIGHT



Ref. No.	Part Number	Description	Qty	Remarks
1	5Y1-83310-70-00	FRONT FLASHER LIGHT ASSEMBLY 1	2	
2	5Y1-83312-00-00	. LENS, FLASHER	1	
3	256-83311-70-XX	. BULB, TS 12V27W	1	
4	5Y1-83313-00-00	. GASKET, FLASHER LENS	1	
5	98580-04010-00	. SCREW, PAN HEAD	1	
6	97701-40530-00	. SCREW, TAPPING	1	
7	95701-12500-00	NUT, FLANGE	2	
8	37A-83330-21-00	REAR FLASHER LIGHT ASSEMBLY 1	2	
9	5Y1-83312-00-00	. LENS, FLASHER	1	
10	256-83311-70-XX	. BULB, TS 12V27W	1	
11	5Y1-83313-00-00	. GASKET, FLASHER LENS	1	
12	98580-04010-00	. SCREW, PAN HEAD	1	
13	97701-40530-00	. SCREW, TAPPING	1	
14	5Y1-83368-01-00	STAY, FLASHER	1	
15	5Y1-83369-01-00	STAY, FLASHER	1	
16	95701-12500-00	NUT, FLANGE	2	
17	10V-83365-00-00	CAP	2	

5Y1110 2310

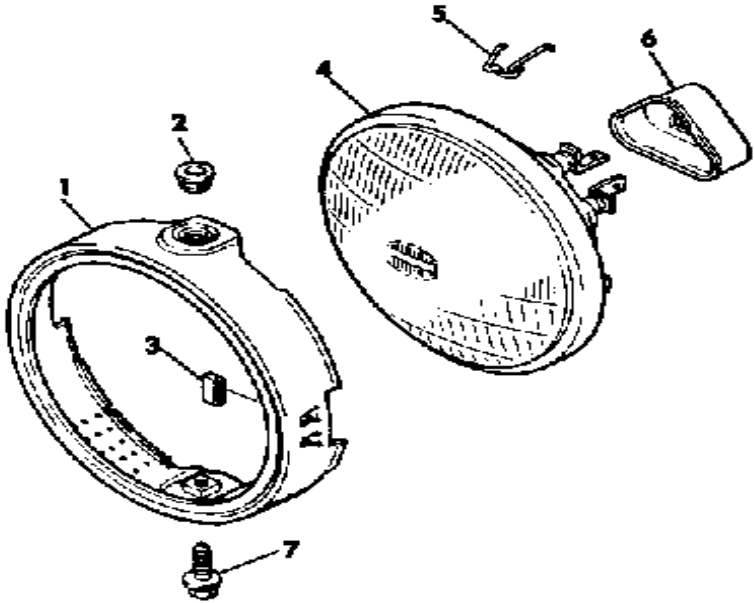
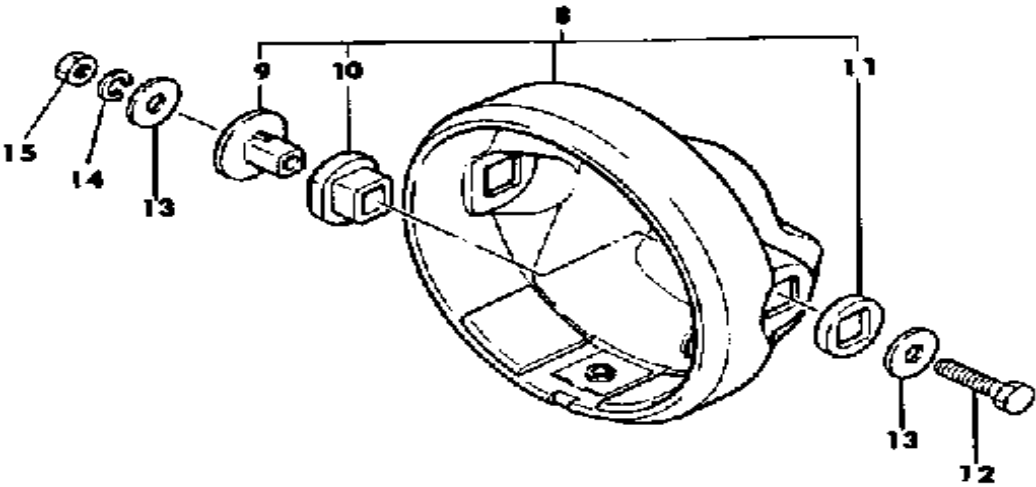
SPEEDOMETER - TACHOMETER



Ref. No.	Part Number	Description	Qty	Remarks
1	43F-83570-G1-00	SPEEDOMETER ASSEMBLY ..	1	
2	2JX-83536-A0-00	. SOCKET, METER	1	
3	4G1-84744-00-00	. BULB, MTR.12V3.4W	1	
4	5Y1-83513-00-00	DAMPER	1	
5	5Y3-83540-00-00	TACHOMETER ASSEMBLY ...	1	
6	5Y1-83520-00-00	. SOCKET CORD ASSEMBLY (30X-83520-00-00)	1	
7	4G1-84744-00-00	. BULB, MTR.12V3.4W	4	
8	5Y1-83541-00-00	DAMPER	1	
9	90468-10050-00	CLIP	4	
10	90201-05033-00	WASHER, PLATE	4	
11	1M1-83526-00-00	DAMPER 2	4	
12	5Y1-83519-00-00	BRACKET, METER	1	
13	90153-06036-00	SCREW, HEXAGON	2	
14	5Y1-83550-00-00	SPEEDOMETER CABLE	1	
15	93210-14104-00	O-RING	1	
16	102-25137-00-00	RING, STOP	1	
17	5Y1-83560-00-00	TACHOMETER CABLE	1	
18	93210-14104-00	O-RING	1	
19	5Y1-83478-00-00	UNAVAILABLE IN PRICE BOOK	1	

5Y1110-2320

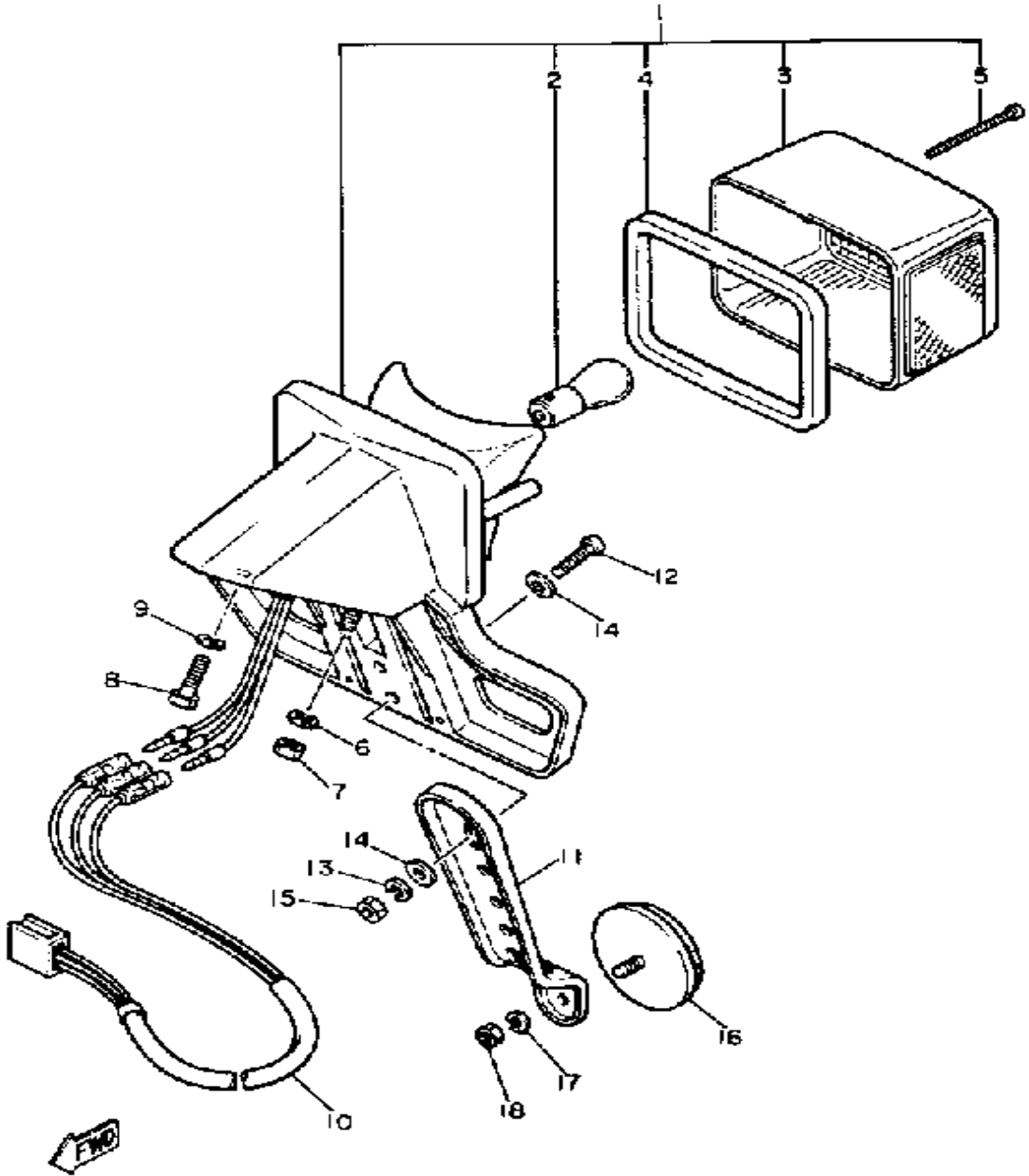
HEADLIGHT



FWD
5Y111D-2330

Ref. No.	Part Number	Description	Qty	Remarks
1	3J0-84195-60-00	. RING, RETAINING	1	
2	3J0-84195-60-00	. RING, RETAINING	1	
3	498-84128-60-00	. SPACER	1	
4	5Y1-84320-60-00	. LENS ASSEMBLY	1	
5	1M1-84124-60-00	. SPRING, SET	3	
6	341-84397-61-00	. COVER, SOCKET	1	
7	1M1-84137-60-00	. BOLT, SPECIAL	1	
8	3J0-84130-60-00	BODY ASSEMBLY, HEADLIGHT	1	BLACK
9	498-84145-60-00	. COLLAR, BODY FITTING	2	
10	498-84163-60-00	. DAMPER	2	
11	1M1-84164-60-00	. DAMPER	2	
12	97306-08040-00	BOLT, HEXAGON	2	
13	92906-08200-00	WASHER	4	
14	92902-08100-00	WASHER, SPRING	2	
15	95333-08600-00	NUT	2	

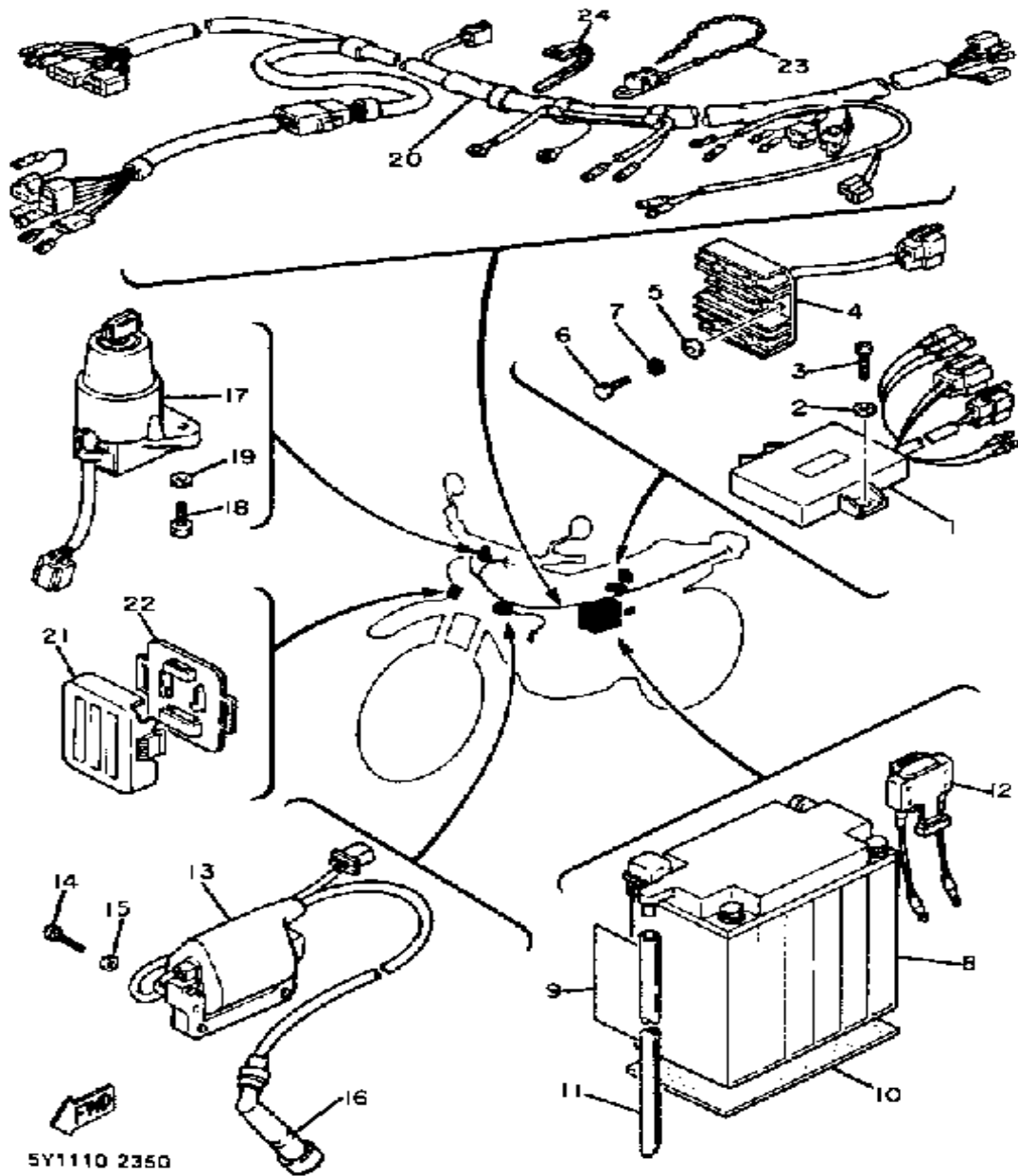
TAILLIGHT



5Y1110-2340

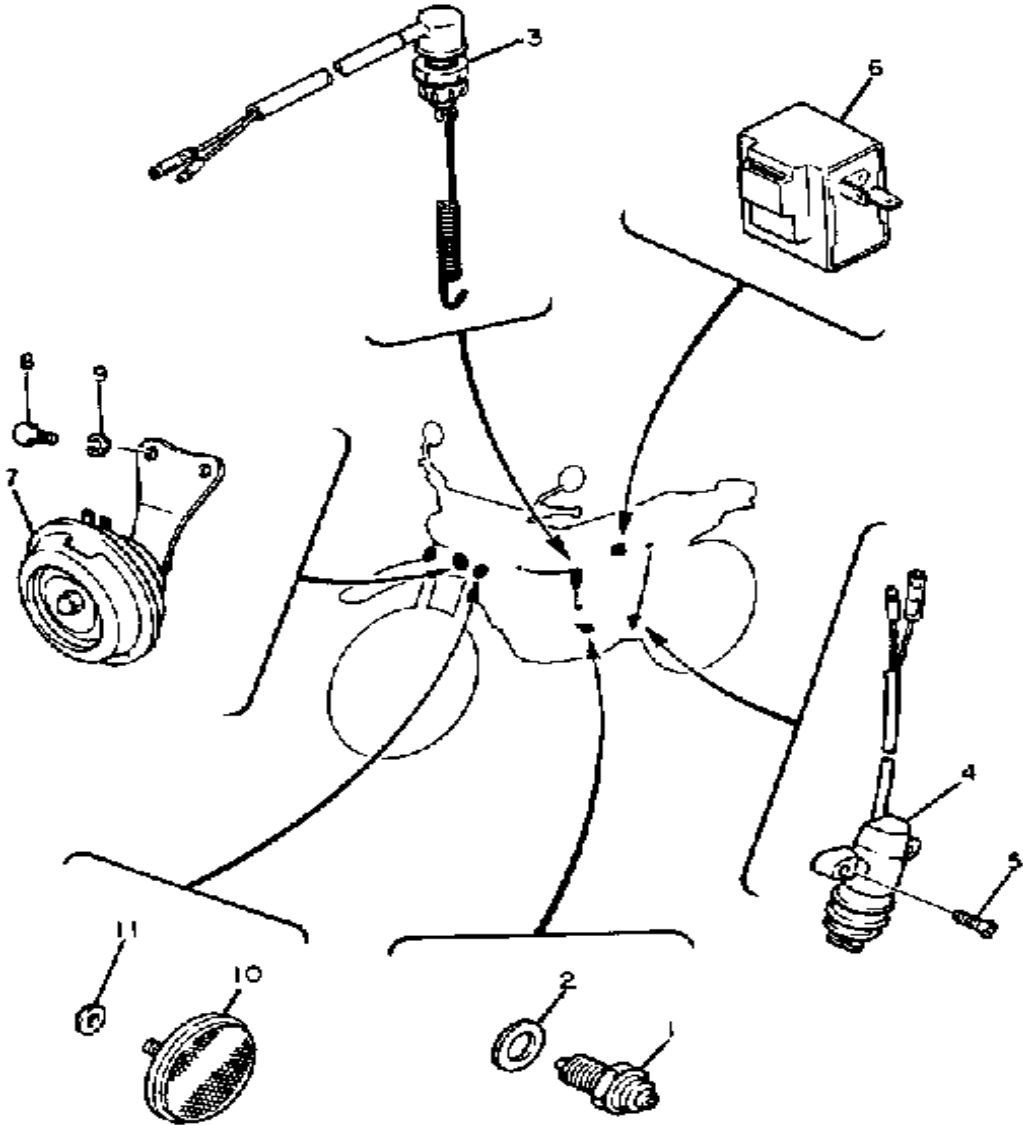
Ref. No.	Part Number	Description	Qty	Remarks
1	5Y1-84700-60-00	TAILLIGHT ASSEMBLY	1	
2	256-84714-61-00	. BULB (12V-27/8W)	1	
3	1M1-84521-60-00	. LENS, TAILLIGHT	1	
4	15A-84545-00-00	. GASKET, LENS	1	
5	3Y1-84524-00-00	. SCREW, lens fitting	2	
6	92995-06100-00	WASHER, SPRING	2	
7	95380-06600-00	NUT	2	
8	97011-06025-00	BOLT (97001-06025)	1	
9	92995-06100-00	WASHER, SPRING	1	
10	5Y1-84717-00-00	CORD, TAILLIGHT	1	
11	5Y1-85132-01-00	BRACKET, REFLECT 1	1	
12	98503-06014-00	SCREW, PAN HEAD (92502-06016)	2	
13	92995-06100-00	WASHER, SPRING	2	
14	90201-06M08-00	WASHER, PLATE	4	
15	95380-06600-00	NUT	2	
16	449-85131-02-00	REFLECTOR, REAR 1	1	
17	92990-05100-00	WASHER, SPRING	1	
18	95380-05600-00	NUT	1	

ELECTRICAL 1



Ref. No.	Part Number	Description	Qty	Remarks
1	5Y1-85540-52-00	CDI UNIT ASSEMBLY	1	
2	90201-062G3-00	WASHER, PLATE	2	
3	97780-60520-00	SCREW, TAPPING	2	
4	3Y6-81960-A0-00	RECTIFIER/REG ASSEMBLY	1	
5	90201-062G3-00	WASHER, PLATE	2	
6	97313-06016-00	BOLT, HEXAGON	2	
7	92995-06100-00	WASHER, SPRING	2	
8	BTY-YB14L-A2-00	BATTERY ASSEMBLY (YB14L-A2)	1	
9	118-82141-09-00	LABEL, BATTERY	1	
10	5X2-24183-00-00	DAMPER, LOCATING 3	1	
11	90445-08433-00	HOSE	1	
12	5Y1-82180-00-00	CIRCUIT BRKR.ASSEMBLY	1	
13	5Y1-82310-51-00	IGNITION COIL ASSEMBLY	1	
14	98511-06025-00	SCREW PAN HEAD (92501-06025)	2	
15	92901-06600-00	WASHER	2	
16	(421-82370-11-00)	PLUG CAP ASSEMBLY	1	ALTERNATE PART W/NOISE SUPPRES
	371-82370-00-00	PLUG CAP ASSEMBLY	1	
17	5Y1-82501-80-00	MAIN SWCH STRG LCK	1	
18	97313-06016-00	BOLT, HEXAGON	2	
19	92901-06600-00	WASHER	2	
20	5Y1-82590-00-00	WIRE HARNESS ASSEMBLY	1	
21	5Y1-82599-00-00	COVER, CONNECTER	1	
22	5Y1-82588-00-00	PLATE	1	
23	90464-20031-00	CLAMP	2	
24	437-83936-01-00	BAND, SWITCH CORD	2	

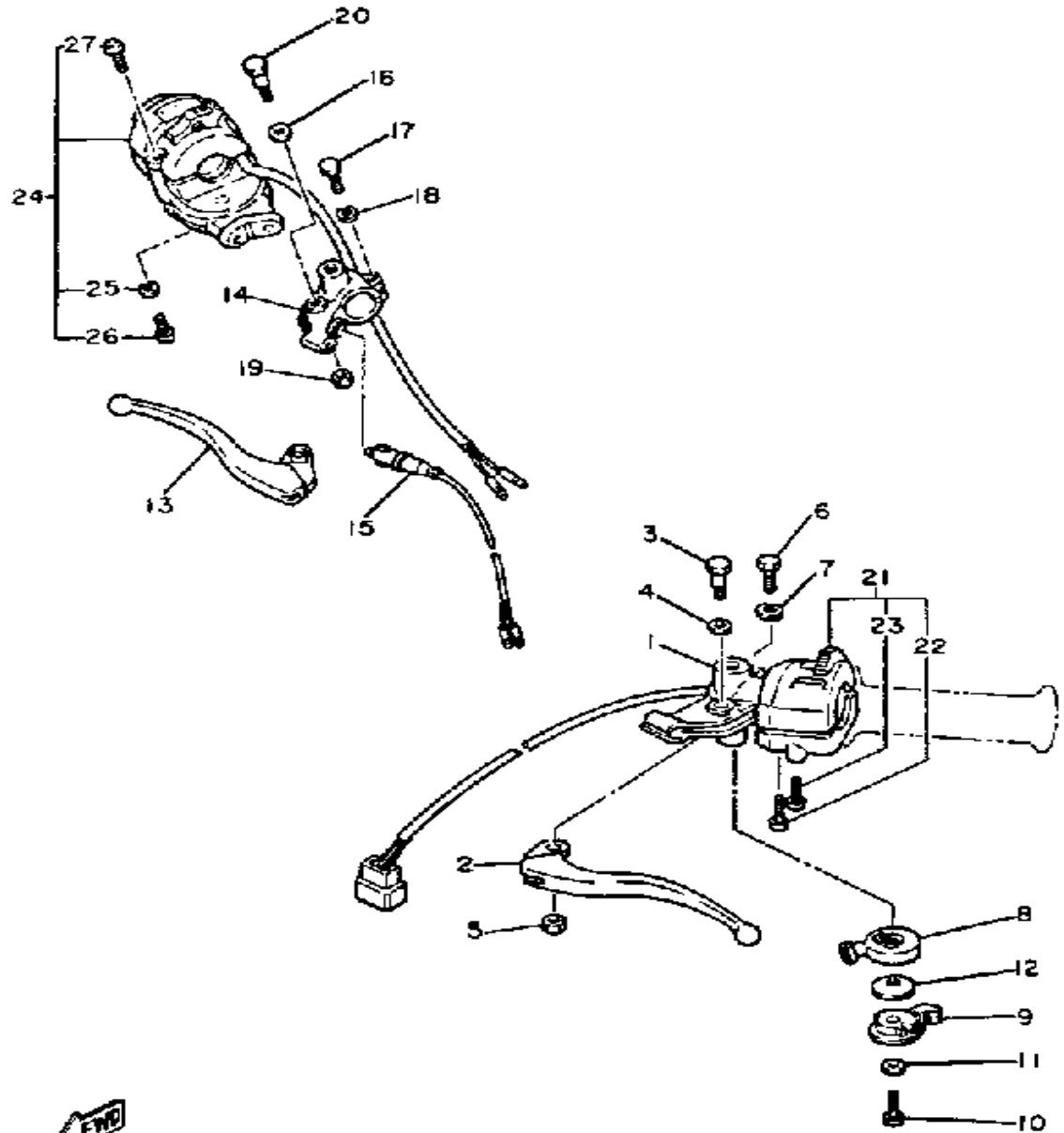
ELECTRICAL 2



Ref. No.	Part Number	Description	Qty	Remarks
1	2H7-82540-00-00	NEUTRAL SWITCH ASSEMBLY	1	
2	90430-10171-00	GASKET	1	
3	5Y1-82530-02-00	STOP SWITCH ASSEMBLY	1	
4	5Y1-82566-00-00	SWITCH, SIDE STAND	1	
5	98706-05020-00	SCREW, FLAT HEAD	2	
6	5Y1-83350-20-00	FLASHER RELAY ASSEMBLY	1	
7	33G-83371-20-00	HORN	1	
8	97013-06012-00	BOLT	2	
9	92995-06100-00	WASHER, SPRING	2	
10	355-85111-01-00	REFLECTOR, FRONT 1	2	
11	90430-06012-00	GASKET	2	

5Y1110-2360

HANDLE SWITCH - LEVER



5Y1110-2370

Ref. No.	Part Number	Description	Qty	Remarks
1	5Y1-82911-01-00	HOLDER, LEVER 1	1	
2	3FY-83912-01-00	LEVER 1	1	
3	90109-06797-00	BOLT	1	
4	90201-08083-00	WASHER, PLATE	1	
5	95601-06100-00	NUT, U	1	
6	97006-06022-00	BOLT	1	
7	92906-06100-00	WASHER, SPRING	1	
8	5Y1-83942-00-00	COVER, STARTER	1	
9	5Y1-83941-00-00	LEVER, STARTER	1	
10	90153-06042-00	SCREW, HEXAGON	1	
11	92906-06200-00	WASHER	1	
12	90209-10131-00	WASHER	1	
13	5Y1-83922-10-00	LEVER R (5Y1-83922-00)	1	
14	361-82920-93-00	HOLDER, LEVER 2 (36182-92131-00)	1	
15	90201-08083-00	WASHER, PLATE	1	
16	90201-08083-00	WASHER, PLATE	1	
17	97006-06022-00	BOLT	1	
18	92906-06100-00	WASHER, SPRING	1	
19	95601-06100-00	NUT, U	1	
20	90109-06797-00	BOLT	1	
21	5Y1-83973-00-00	SWITCH, HANDLE 3	1	
22	98506-05030-00	. SCREW, PAN HEAD	1	
23	90157-05027-00	. SCREW, PAN HEAD	1	
24	5Y1-83976-00-00	SWITCH, HANDLE 1	1	
25	92906-06100-00	. WASHER, SPRING	1	
26	98516-06012-00	. SCREW, PAN HEAD	1	
27	98506-05018-00	. SCREW, PAN HEAD	2	